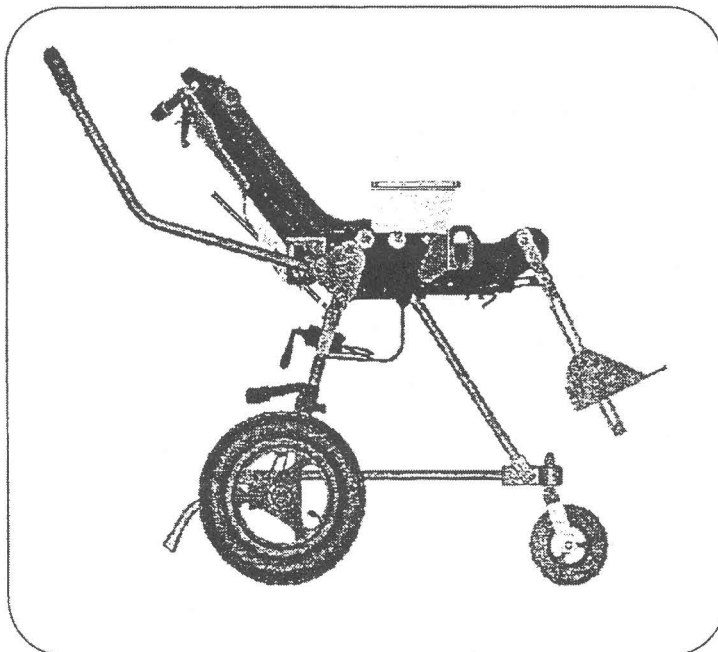
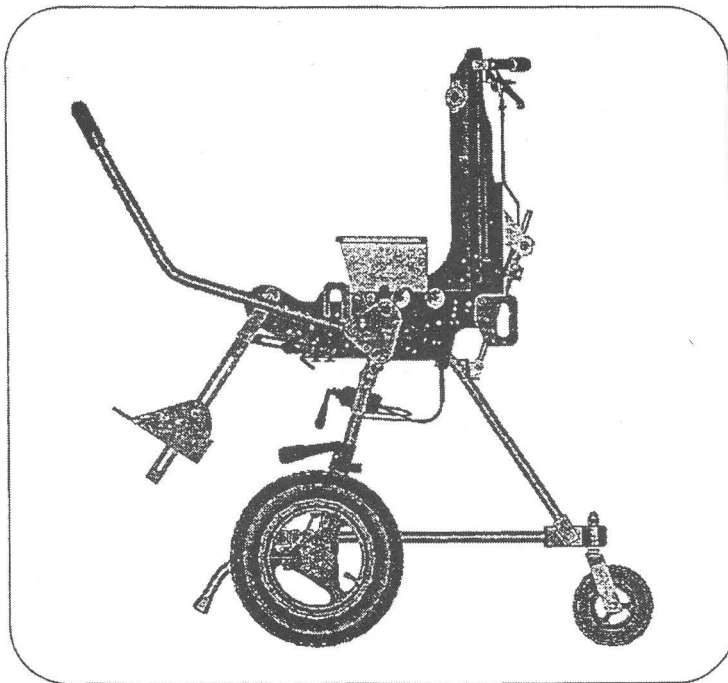
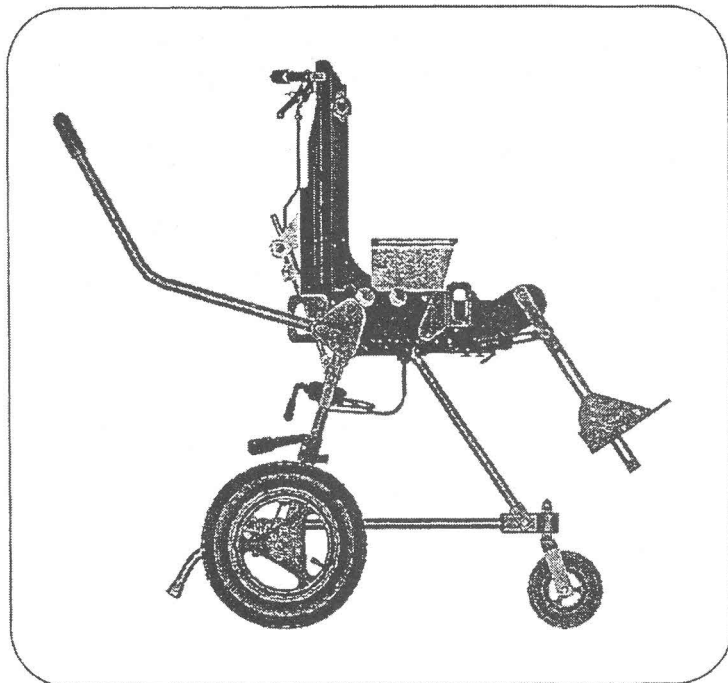


Sunrise Medical Kid-TLC User's Guide

model # TLC1, TLC2, TLCB1, TLCB2



SUNRISE MEDICAL
7477 East Dry Creek Parkway
Longmont, Colorado 80503 USA

(800) 333-4000

992120000 Rev. E

FIRST, A FEW NOTES OF CAUTION:

1. Read all instructions before using the TLC.
2. Never leave child unattended.
3. Always be sure the safety catch is hooked around the rear axle and that the rear wheels are locked before seating a child.
4. Always use the lap belt.
5. Always use wheel locks when not in motion.
6. Never allow bus/van transport of your child in the TLC unless it has been fitted with bus transport system brackets and harness by the manufacturer. Bus transport instructions are delivered with transportable units.
7. See your rehab specialist and have them adjust accessories as you child grows.
8. Have your dealer install positioning accessories if necessary.
9. NEVER use your TLC Shell as a Car Seat. Serious Injury or Damage to Equipment May Occur.
10. NEVER allow Bus Transportable TLC to be Transported Sideways.

WARNINGS

- NEVER USE THE TLC SHELL AS A CAR SEAT.
- NEVER LEAVE YOUR CHILD UNATTENDED.
- LOCK WHEELS BEFORE TRANSFERRING A CHILD.
- LOCK WHEELS WHEN NOT IN MOTION.
- USE LAP BELT WHEN CHILD IS SEATED.
- USE ANTI-TIPS WHEN UNFOLDED.
- USE THIS PRODUCT ONLY FOR SEATING ONE PERSON AT A TIME.
- FAILURE TO FOLLOW THESE WARNINGS COULD RESULT IN SERIOUS INJURY OR EQUIPMENT DAMAGE.

How to: the common stuff.

1. Use the **wheel locks**. Push forward to lock them in place and pull back to release. You should occasionally try to push the wheelchair with your child in it and with the wheels locked to test for slippage. Contact your dealer to adjust them if holding power is inadequate.
2. Adjust the **lap belt** to fit your child and use it immediately upon seating your child. The lap belt snaps together and has an adjuster on the child's left side.
3. The **safety catch** hooks onto the rear axle and adds additional protection from accidental folding. Never seat your child in the TLC unless the safety catch is in place.
4. **Tilt-In-Space Adjustment** is done by grasping the shell handle and pulling up on the red tilt-in-space control. Hold the control while adjusting. Release the control to lock into place. **WARNING:** Always keep a Hand on the Shell when operating the TIS control.
5. Adjust the **footbed** by loosening bolts on the sides of footbed coupler, first. Then slide footbed to appropriate height and hand tighten bolts.
6. Hand wash and air dry the **fabric** when it gets dirty. Clean **metal** components with a non-abrasive cleanser monthly.
7. Use a **Teflon based lubricant** on moving parts to maintain smooth operation. Schwinn PolyTech® lube is recommended and can be found at many hardware and bicycle shops.

Important Names and Numbers:

Therapist's Name _____

Therapist's Phone number _____

Dealer's Name _____

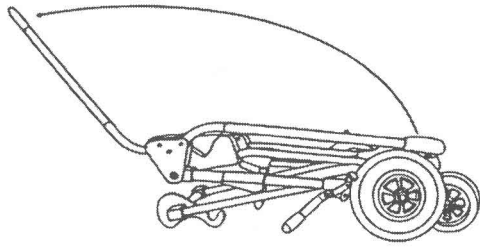
Dealer's Phone Number _____

Sunrise Medical Home Health Care Mobility Products -- Kid-Kart -- 1-800-388-5278

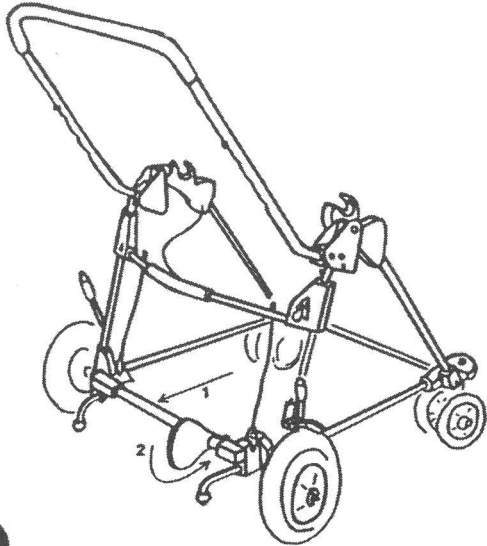
Write Your TLC Shell Serial Number Here _____
(It is located behind the shell, near the bottom of the recline mechanism.)

Write Your TLC Mobility Base Serial Number Here _____
(It is located under the caution tube.)

UNFOLDING



1 Place the TLC onto the ground and pivot the Handlebar until it snaps into place.

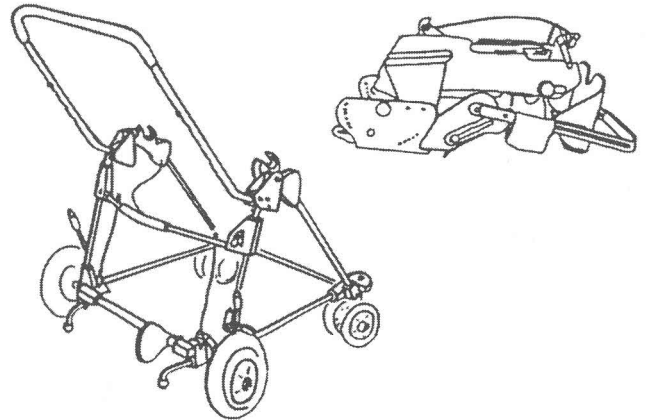


2 Lift the Handlebar to start sliding the Axle to the rear. Make sure that the Rear Axle snaps into place and hook the Safety Catch around the Rear Axle Tube.

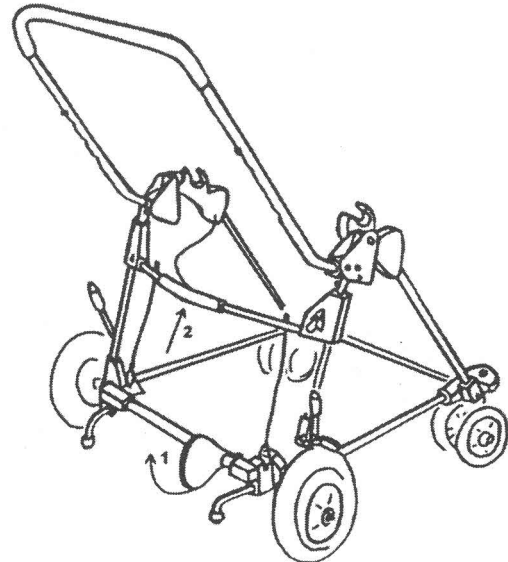


3 Attach the Positioning Shell and move Tilt-in-space into desired position.

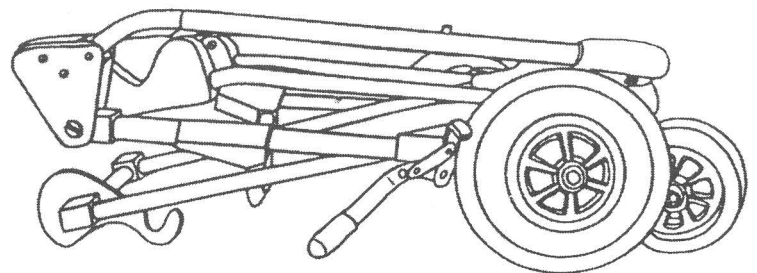
FOLDING



1 Adjust Tilt-in-Space backward and remove the Positioning Shell.



2 Lift the Release Tube to free the Handlebar and fold the Handlebar over the Mobility Base.



3 Unhook the Safety Catch from the Rear Axle. Lift the Release Tube again to free the rear axle and collapse the mobility base.

Sunrise Medical Kid-TLC User's Guide

The TLC was designed to provide therapeutic seating for children with diverse needs. Consequently, the shell may house diverse components and has many options. There are several considerations common to all possible configurations that are discussed in this section. These include installing and removing the shell from the mobility base, adjusting recline and orientation in space, folding the shell and mobility base, adjusting the system to fit your child as s/he grows, and general maintenance. The common considerations are addressed here.

Maximum Occupant Weight: 75 lbs.

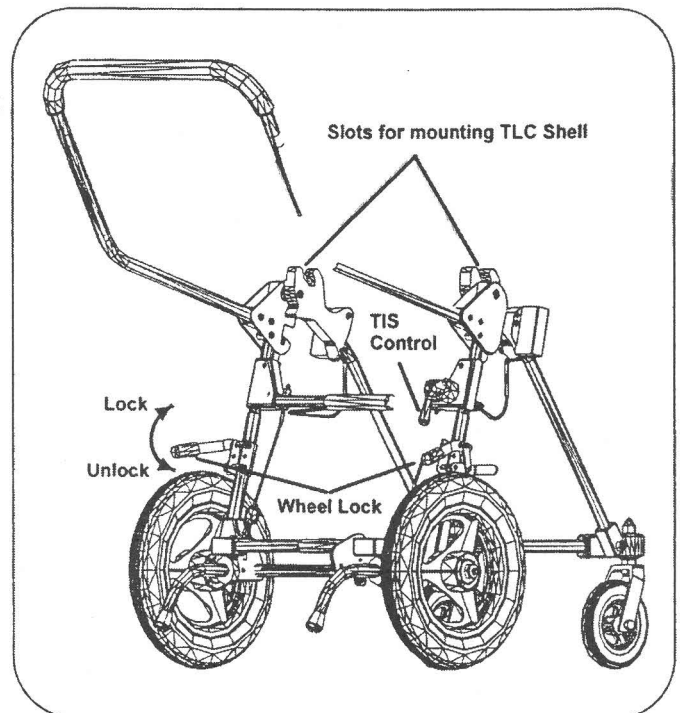
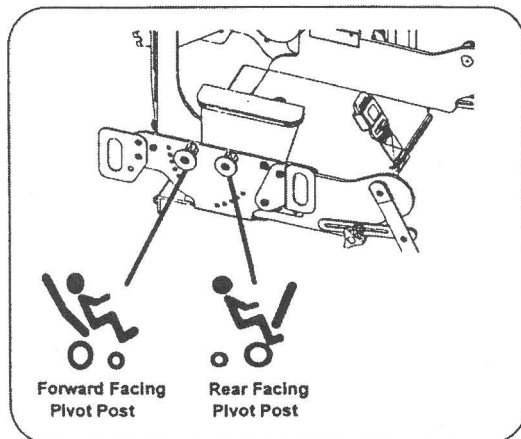
WARNINGS

**Always Lock Wheels Before Seating a Child.
Always Lock Wheels Before Removing a Child.
Always Keep Wheels Locked when the TLC is not being pushed.
Always Use the Lap Belt when a Child is Seated in the TLC.**

**Never Fold the Shell with the Child Seated.
Never Use the Butterfly Harness Without the Lap Belt.
Never Use the TLC Shell as a Car Seat.
Never Leave a Child Unattended in the TLC.
Never hang items on the TLC or the system may become unstable or damaged.**

Shell and Mobility Base Interface

The Positioning Shell has two Pivot Posts on each side that fit into matching slots in the Mobility Base TIS block. Pivot Posts allow the Shell to be installed onto the Mobility Base forward facing or rear facing. Note that the Shell will fit properly only if you use the correct set of Pivot Posts. Pivot Post labels on each side provide visual cues as to which posts to use. The handlebar, tires, and child orientation of the proper pivot post label will correspond to the actual mobility base handlebar, tires, and child orientation when installed into the pivot slots.

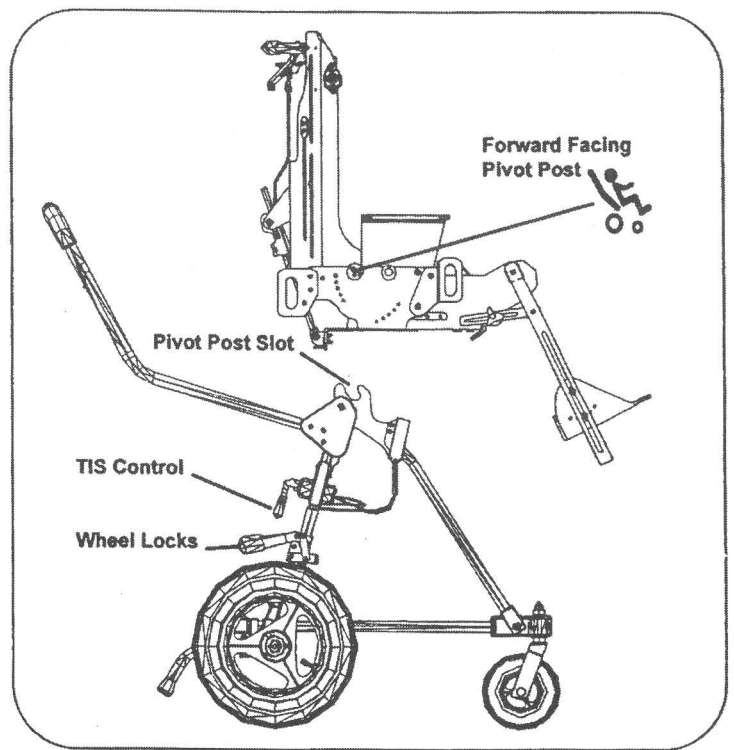


Install the TLC Shell

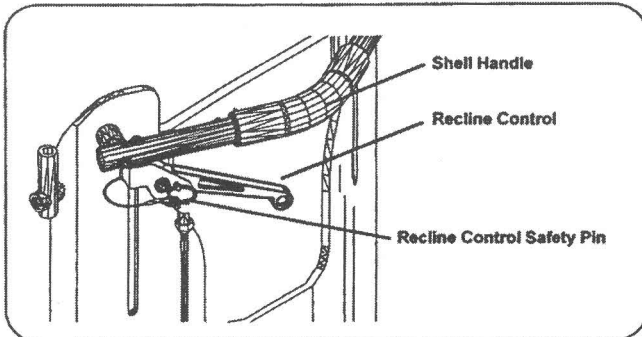
Lock the rear wheels and lift the red TIS control up to unlock the TIS pins. Place the Shell over the top of the mobility base and guide the proper Pivot Posts into the slots on the mobility base. Tip the shell back slightly for easier mounting. Adjust Tilt-in-Space to desired orientation and lock it into position by lowering the red TIS control. If the shell will not lock into position, then you probably need to use the other set of pivot posts so that the shell will drop completely into the slots.

Remove the TLC Shell

Lock the wheels and make sure that the child is safely away from the system. Lift the red TIS control to unlock the shell and adjust the Tilt-in-Space all the way back. Lift the Shell free from the mobility.



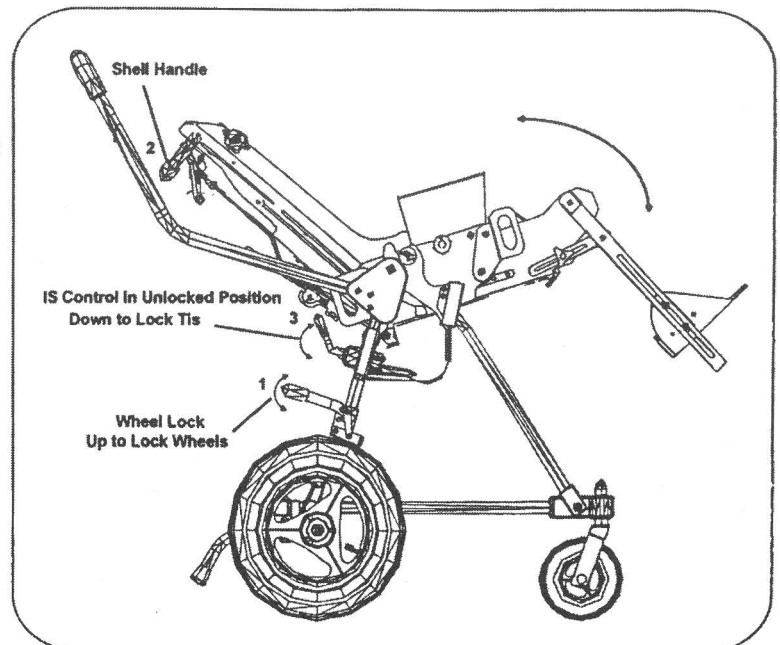
Adjust Recline



Lock the Wheels and stand behind or to the side of the shell. Grasp the shell handle near the top of the shell back. Remove the recline control safety pin. Squeeze the recline control and move the shell back to the desired seat to back angle. Release the recline control and then pull or push on the shell handle to make sure that the seat back will not move. Insert the recline control safety pin back into the recline control to prevent accidental operation.

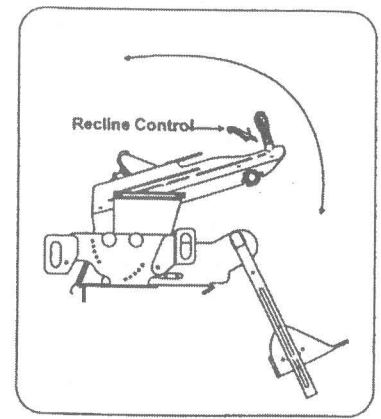
Adjust Tilt-In-Space Angle

Lock the mobility base wheels and locate the red Tilt-in-Space control. Grasp the shell handle near the top of the shell back and lift the red TIS control up into the unlocked position. Adjust tilt-in-space to a proper orientation. Lower the red TIS control down into the locked position and make sure that the shell locks into place before releasing the shell handle.

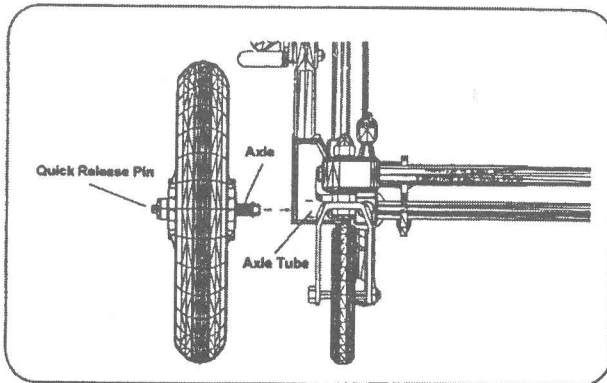


Fold the TLC Shell

Make sure the child is safely away from the positioning shell before folding. Lock the wheels and use the Recline Control to fold the Shell in half if you have the adjustable recline model. Remove the small ball lock pin from the lower end of the recline tube on fixed recline models. Folded shell compactness depends on the types of positioning components installed. Do Not Force the Shell Back further forward than it will naturally go or equipment damage may occur.



Remove and Install a Rear Wheel



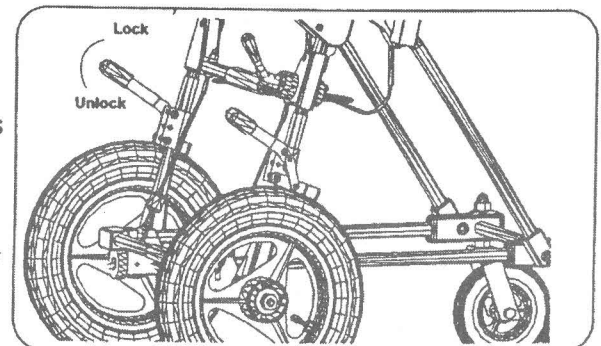
Remove the rear wheels to reduce the storage size of the TLC mobility base. First fold the TLC mobility base, then depress the center of the rear wheel and pull the whole wheel and axle out of the axle tube. Align the axle with the axle tube end and depress the button to reinstall. A definite snap is heard when the wheel is properly installed and the ball lock snaps into place. Occasionally, the wheels do not both snap into place. If this should happen, then swap the wheels to opposite sides.

Orient Anti-Tips

The anti-tip tubes attach into the TLC slide tube couplers below the rear caution tube (rear cross tube). Dual snap buttons allow for them to be rotated and locked inward, downward, or outward. The anti-tips should be pointed downward during normal operation. The downward orientation may interfere with mobility during stair and curb ascent or descent. It is sometimes more convenient to push the snap button and rotate them out of the way during such occasions. Never step on the anti-tips to help tip the TLC back. It will break either the anti-tip or the slide block. While not rendering the TLC inoperable, it will eliminate one safety feature provided for the child's protection. Turn the anti-tips outward for storage.

Operate Wheel Locks

The wheel locks are the most frequently used part of the TLC and are first line of defense against accidental injury. Pull the wheel lock levers up to lock the wheels. Push down to unlock them. Always lock the wheels before seating or removing a child from the system. Always have wheels locked when the TLC is not in motion. Always lock the wheels before making any adjustment to the TLC. Test wheel lock adjustment periodically with a child in the chair. The wheels should skid rather than roll when the wheel locks are properly adjusted and the tire pressure is correct. Wheel lock adjustment should be performed by your equipment dealer as necessary.



Removable Storage Bag

The storage bag attaches to the TLC release tube and axle tube. The included shoulder strap attaches to the bag as alternative transport of everyday use items. The strap is particularly useful in inclement weather. Folding is difficult if the attachment straps are too tight. Adjust the tension to allow for easy folding.

Lap Belt

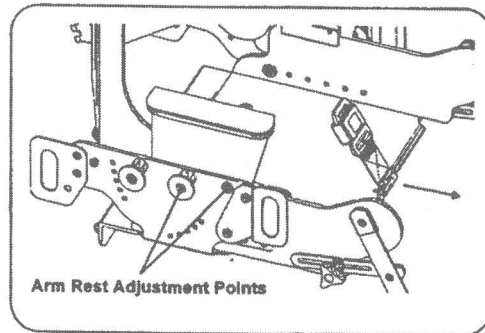
Lock the wheels and remove seat belt twists. Place the Belts outside of the seating area and seat the child. Snap the belt together and adjust belt length to provide a snug fit. Adjustment may be done on either side of the child. Always use the lap belt when a child is seated in the TLC. Buckle the lap belt before using a butterfly harness.

Abductor Block Placement During Bus/Van Transport

The abductor block may be removed from the hardware and installed from beneath during bus transport. Alternatively, it may be stored off of the TLC.

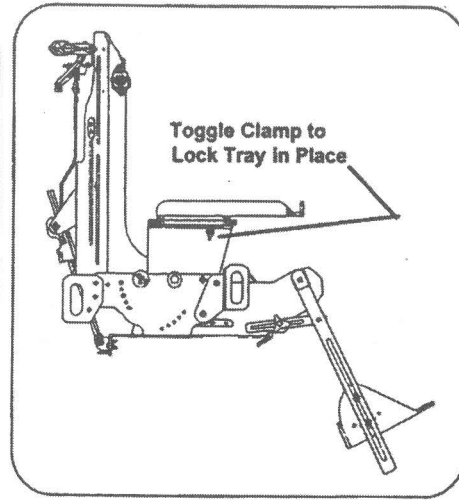
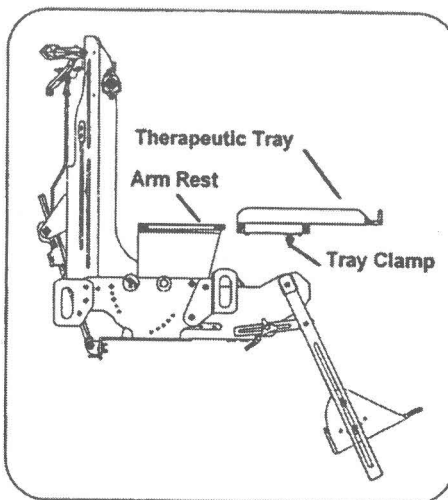
Adjust Arm Rests

Arm rests have two bolts holding each in place. The bolts are accessible from outside the seating area and pass through the seat base into arm rest mounts inside the seating area. One arm rest adjustment bolt hides inside each rearward facing pivot post. Loosen the two bolts, adjust the arm rest to appropriate height and tighten the adjustment bolts. The forward attachment bolt may be left slightly less tight to allow therapeutic tray adjustment, if so equipped.



Install and Adjust Therapeutic Tray

Slide the therapeutic tray over the arm rests, adjust depth, and clamp it in place. Adjust arm rests to get proper tray height and angle. The front arm rest attachment bolt may be left slightly less tight than the rear one to allow easy tray angle changes for children needing frequent adjustments of tilt in space.



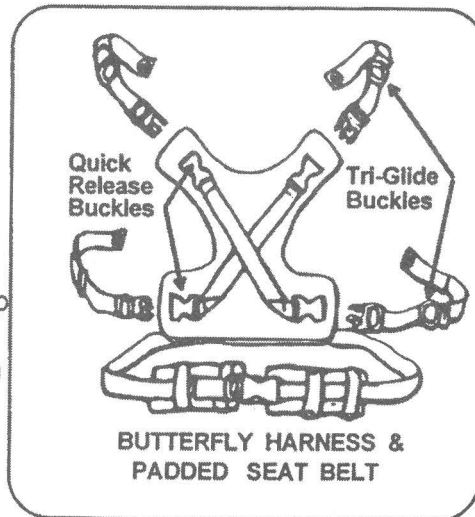
Butterfly Harness

WARNING: The Lap Belt Must Be Used In Combination With The Butterfly Harness To Avoid Serious Injury. Make Sure All Needed Adjustments Are Done To Ensure That There Is NO Possibility Of Airway Obstruction Or Other Undesirable Constrictions.

NEVER USE THE BUTTERFLY HARNESS WITHOUT THE LAP BELT.

Butterfly Harness Adjustment

Place child in the TLC and fasten the lap belt. Position the child's hips and tighten the lap belt to the proper position. Connect the Butterfly Harness to straps already fastened to the TLC Shell and adjust the lower butterfly straps to keep the butterfly from riding up on the child's torso. Adjust the upper straps last. Make sure there is enough room around the child's neck for easy breathing and eating. Once the butterfly straps are adjusted, latch the lower straps in position by sliding the plastic tri-glide up against the quick release buckle.



Adjust Sunshade Angle

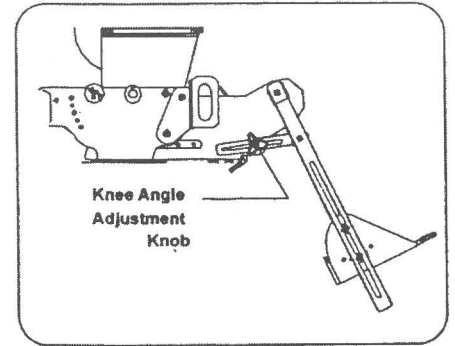
Insert the sunshade rod ends into the attachment holes on both sides of the shell back. Pull the right side attachment outward to disengage the adjustment teeth. Rotate the sunshade forward or back to the desired angle and release. The sunshade will lock into place as the adjustment teeth mesh.

Adjust Handlebar Height

The TLC handlebar has three heights. Two snap buttons lock the handlebar height from below. Lock the wheels, depress the snap buttons on each side of the handlebar, and push or pull the handlebar to the desired height. The snap buttons will lock into the next available holes.

Adjust Knee Angle

Adjust the knee angle by loosening the black knobs on either side of the shell near the child's knees. Re-tighten the knobs after moving the lower leg to the desired knee angle.



Routine TLC Maintenance

- Spray TIS control plunger with Teflon based lubricant every six months to ensure continued smooth operation. The spray can be purchased at most bike shops and hardware stores.
- At least every four months, check all bolts, screws, and knobs for tightness.
- If parts are missing, broken, damaged, or worn, then stop use of the product until repairs are made, using factory authorized parts.
- Wipe down all plastic components periodically with disinfectant solution to maintain cleanliness.
- Hand wash and air dry the fabric components.
- Air up the tires once a week.
- Lubricate all moving components with Teflon lubricant only. The spray can be purchased at most bike shops and hardware stores. Use of any other types of lubricant tend to foul moving components and may void warranty.
- Check the wheel locks for proper operation. They should skid rather than roll when pushed with a child in the TLC.
- Rinse the frame before folding if the frame gets dirty, otherwise it will become difficult to fold. If the TLC becomes difficult to fold, then spray the slide tubes with Teflon, fold and unfold it several times, and wipe excess lubricant from the slide tubes. This procedure may need be repeated three or four times to return exceptionally fouled karts to easy working condition.

