



Zippie 2
March 2021
 EIZ2



Date: _____ **SUBMITTING FOR:** Quote Order

Dealer Acct #: _____ PO#: _____

Dealer: _____ Ship To: _____

Dealer Contact: _____ Attention: _____

Dealer Address: _____ Address: _____

Dealer City: _____ PV: _____ PC: _____ Address: _____

Dealer Phone: () _____ Fax: () _____ Ship To City: _____ PV: _____ PC: _____

Confirm Via: Fax Email Ship To Phone: () _____ Fax: () _____

Mark For: _____

| ✓ | Option # | Definition | Price | ✓ | Option # | Definition | Price |
|---|----------|------------|-------|---|----------|------------|-------|
|---|----------|------------|-------|---|----------|------------|-------|

ZIPPIE 2

1. FRAME STYLE

| | | | | | | | |
|--------------------------|---------|-----------------------------|------------|--------------------------|---------|-----------------------------|------------|
| <input type="checkbox"/> | 022WM01 | Zippie 2 - Transit Included | \$3,125.00 | <input type="checkbox"/> | 022WM02 | Zippie 2 - Transit Optional | \$3,125.00 |
|--------------------------|---------|-----------------------------|------------|--------------------------|---------|-----------------------------|------------|

2. TRANSIT SYSTEM (when Frame is ordered Transit Optional)

| | | | | | | | |
|--------------------------|---------|--|----|--------------------------|---------|--|----|
| <input type="checkbox"/> | 022TO19 | Transit Seating (Req. Selection of Seat & Back) | NC | <input type="checkbox"/> | 022TO16 | Transit w/ Conv. Seating | NC |
| <input type="checkbox"/> | 022TO13 | Transit w/o Seating | NC | <input type="checkbox"/> | 022TO17 | Transit with Fit Seating | NC |
| | | | | <input type="checkbox"/> | 022TO7 | Transit Omit (only with Transit Included Frame) | NC |

3. FRAME COLOR

| Standard Colors | | | |
|--------------------------|---------|-----------------------------------|----|
| <input type="checkbox"/> | 022C140 | Aztec Gold | NC |
| <input type="checkbox"/> | 022C2 | Black (Not avail as base w/Zebra) | NC |
| <input type="checkbox"/> | 022C141 | Black Cherry | NC |
| <input type="checkbox"/> | 022C10 | Black Opal | NC |
| <input type="checkbox"/> | 022C38 | Blue Opal | NC |
| <input type="checkbox"/> | 022C36 | Candy Blue | NC |
| <input type="checkbox"/> | 022C14 | Candy Purple | NC |
| <input type="checkbox"/> | 022C35 | Candy Red | NC |
| <input type="checkbox"/> | 022C142 | Electric Blue | NC |
| <input type="checkbox"/> | 022C143 | Evergreen | NC |
| <input type="checkbox"/> | 022C126 | Glow | NC |
| <input type="checkbox"/> | 022C144 | Green Apple | NC |
| <input type="checkbox"/> | 022C147 | Hot Sparkle Pink | NC |
| <input type="checkbox"/> | 022C148 | Mauve Pink | NC |

| | | | |
|--------------------------|---------|----------------------|----|
| <input type="checkbox"/> | 022C103 | Rootbeer | NC |
| <input type="checkbox"/> | 022C114 | Sparkle Silver | NC |
| <input type="checkbox"/> | 022C145 | Sunrise Orange | NC |
| <input type="checkbox"/> | 022C113 | Titanium Color Paint | NC |
| <input type="checkbox"/> | 022C8 | Yellow | NC |

| Standard Matte Colors | | | |
|--------------------------|---------|---------------------|----|
| <input type="checkbox"/> | 022C116 | Matte Black | NC |
| <input type="checkbox"/> | 022C151 | Matte Black Cherry | NC |
| <input type="checkbox"/> | 022C152 | Matte Purple | NC |
| <input type="checkbox"/> | 022C150 | Matte Electric Blue | NC |
| <input type="checkbox"/> | 022C149 | Matte Evergreen | NC |

| Personalized Colors | | | |
|--------------------------|---------|--|----------|
| <input type="checkbox"/> | 022C43 | Mossy Oak Camouflage | \$340.00 |
| <input type="checkbox"/> | 022C42 | Stars and Stripes | \$340.00 |
| <input type="checkbox"/> | 022C108 | Zebra (Choose base color above: White Std, N/A black) | \$340.00 |

4. FRAME WIDTH

| | | | | | | | |
|--------------------------|-------|-----|-----|--------------------------|-------|-----|----|
| <input type="checkbox"/> | 022W3 | 12" | NC | <input type="checkbox"/> | 022W6 | 15" | NC |
| <input type="checkbox"/> | 022W4 | 13" | NC | <input type="checkbox"/> | 022W7 | 16" | NC |
| <input type="checkbox"/> | 022W5 | 14" | STD | | | | |

Mark For: _____

| | |
|--|--|
| | |
|--|--|

| ✓ | Option # | Definition | Price | ✓ | Option # | Definition | Price |
|---|----------|------------|-------|---|----------|------------|-------|
|---|----------|------------|-------|---|----------|------------|-------|

5. FRAME DEPTH AND BACK POST LOCATION

| | | | | | | | |
|--------------------------|---------------|-------------------------|-----------|--------------------------|---------------|----------------------------|-----------|
| <input type="checkbox"/> | 022FL1 | Kids (12" - 16") | NC | <input type="checkbox"/> | 022FL9 | Regular (12" - 18") | NC |
| <input type="checkbox"/> | 022FD3 | 12" | NC | <input type="checkbox"/> | 022FD3 | 12" | NC |
| <input type="checkbox"/> | 022FD4 | 13" | NC | <input type="checkbox"/> | 022FD4 | 13" | NC |
| <input type="checkbox"/> | 022FD5 | 14" | STD | <input type="checkbox"/> | 022FD5 | 14" | STD |
| <input type="checkbox"/> | 022FD6 | 15" | NC | <input type="checkbox"/> | 022FD6 | 15" | NC |
| <input type="checkbox"/> | 022FD7 | 16" | NC | <input type="checkbox"/> | 022FD7 | 16" | NC |
| | | | | <input type="checkbox"/> | 022FD8 | 17" | NC |
| | | | | <input type="checkbox"/> | 022FD9 | 18" | NC |

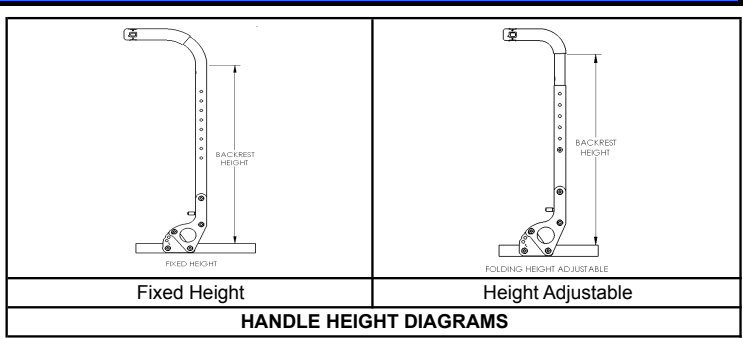
6. SEATING

| Seats | | | |
|--------------------------|---------|----------------------|----------|
| <input type="checkbox"/> | 022ST16 | Solid Seat/Back | \$295.00 |
| <input type="checkbox"/> | 022B3 | Short (12") | N/C |
| <input type="checkbox"/> | 022B7 | Medium (14") | N/C |
| <input type="checkbox"/> | 022B11 | Tall (16") | N/C |
| <input type="checkbox"/> | 022ST27 | Omit Solid Seat/Back | NC |

| JAY Cushions (Optional) | | | |
|---|---------|------------------------------------|------------|
| <i>To order any JAY cushions on-chair, please see the JAY price list. Cushion name or part number must be filled out with desired width and depth</i> | | | |
| <input type="checkbox"/> | 022JC20 | JAY Bundled Cushion | Price List |
| | | Cushion Name or Part # | |
| | | Width: Depth: | |

7. STROLLER HANDLE BACK POSTS FOR ADAPTIVE SEATING - BACK RESTS

| Fixed Height | | | |
|--------------------------|---------|------------------------------|----------|
| <input type="checkbox"/> | 022BP9 | Low (19" Ht) | NC |
| <input type="checkbox"/> | 022BP10 | Medium (22" Ht) | NC |
| <input type="checkbox"/> | 022BP11 | Tall (25" Ht) | NC |
| <input type="checkbox"/> | 022BP13 | Removable Extension | \$162.00 |
| <input type="checkbox"/> | 022RG1 | Folding Adjustable Rigidizer | \$191.00 |



| Height Adjustable | | | |
|---------------------------------------|---------|-------------------------------|-----------|
| <i>Folding Frame with Push Handle</i> | | | |
| <input type="checkbox"/> | 022B180 | Std. (17"-23" Height.) | NC |
| <input type="checkbox"/> | 022BP47 | <i>Swing Away Handle</i> | \$79.00 |
| <input type="checkbox"/> | 022B181 | Tall (20"-26" Height.) | NC |
| <input type="checkbox"/> | 022BP47 | <i>Swing Away Handle</i> | \$79.00 |

Jay Backs (Optional)

Ordering JAY backs on-chair, See the JAY Price List. Requires Part #

| | | | |
|--------------------------|---------|-------------------------------------|------------|
| <input type="checkbox"/> | 022JB02 | JAY Bundled Backrest | Price List |
| | | Backrest Name or Part # | |
| | | Width: Height: | |

8. ARMRESTS

| Armrest and Armpad - Height Adjustable | | | |
|--|---------|----------------------------------|----------|
| <input type="checkbox"/> | 022AA12 | T-Post Regular w/Foam | NC |
| <input type="checkbox"/> | 022AA13 | T-Post Tall w/Foam | NC |
| <input type="checkbox"/> | 022AA3 | Flip-Up | NC |
| <input type="checkbox"/> | 022AA1 | Adjustable Locking Flip-Up | \$313.00 |
| <input type="checkbox"/> | 022AA7 | Length Adjust. Locking Flip-Up | \$313.00 |
| <input type="checkbox"/> | 022AM23 | <i>Desk Length (10")</i> | NC |
| <input type="checkbox"/> | 022AM24 | <i>Full Length (14")</i> | NC |
| <input type="checkbox"/> | 022AM9 | Foam Short (not avail. w/T Post) | NC |
| <input type="checkbox"/> | 022AM10 | Foam Long (not avail. w/T Post) | NC |

| Armrest - Height Adjustable | | | |
|-----------------------------|---------|--|----------|
| <input type="checkbox"/> | 022AA11 | Single-Post Height Adj. Std. | \$313.00 |
| <input type="checkbox"/> | 022AM23 | <i>Desk Classic</i> | NC |
| <input type="checkbox"/> | 022AM21 | <i>Desk Contour (n/a w/12-13" Depth)</i> | NC |
| <input type="checkbox"/> | 022AM24 | <i>Full Classic</i> | NC |
| <input type="checkbox"/> | 022AM22 | <i>Full Contour (n/a w/12-13" Depth)</i> | NC |
| <input type="checkbox"/> | 022AA29 | Single-Post Height Adj. Low | \$313.00 |
| <input type="checkbox"/> | 022AM23 | <i>Desk Classic</i> | NC |
| <input type="checkbox"/> | 022AM21 | <i>Desk Contour (n/a w/12-13" Depth)</i> | NC |
| <input type="checkbox"/> | 022AM24 | <i>Full Classic</i> | NC |
| <input type="checkbox"/> | 022AM22 | <i>Full Contour (n/a w/12-13" Depth)</i> | NC |

| Armrest Receiver for Height Adjustable Armrest | | | |
|--|---------|------------------------------------|----|
| <input type="checkbox"/> | 022AR17 | Low (n/a w/20" rear wheels) | NC |
| <input type="checkbox"/> | 022AR18 | Std | NC |

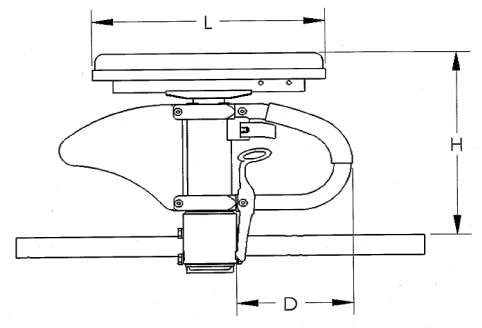
Mark For: _____

| ✓ | Option # | Definition | Price | ✓ | Option # | Definition | Price |
|---|----------|------------|-------|---|----------|------------|-------|
|---|----------|------------|-------|---|----------|------------|-------|

8. ARMRESTS (Cont.)

| Armrest Size | Transfer Tube Length D | Receiver | CLASSIC PAD | | |
|--------------|------------------------|----------|--------------------|--------------|-----|
| | | | H Range | Pad Length L | |
| STD | 8" | STD | 10 3/4" to 15 3/4" | 10 1/4" | 14" |
| | | LOW | 8 3/4" to 13 3/4" | | |
| LOW | 5 1/4" | STD | 9" to 13" | | |
| | | LOW | 7 1/4" to 11 1/4" | | |

| Armrest Size | Transfer Tube Length D | Receiver | CONTOUR PAD | | |
|--------------|------------------------|----------|-------------------|--------------|---------|
| | | | H Range | Pad Length L | |
| STD | 8" | STD | 10" to 15" | 10 1/2" | 14 1/4" |
| | | LOW | 8 1/4" to 12 1/2" | | |
| LOW | 5 1/4" | STD | 8 1/2" to 12 1/2" | | |
| | | LOW | 6 3/4" to 10 3/4" | | |



Armrest Matrix for Single Post

9. FOOTRESTS

Hanger Mounted Footrest (Footplates Mount to Hanger Tubing)

| Hanger Type | | | |
|--------------------------|--------|--------------------------------|----------|
| <input type="checkbox"/> | 022H89 | 70° Swing In/Out Front Mount | NC |
| <input type="checkbox"/> | 022H90 | 80° Swing In/Out Front Mount | NC |
| <input type="checkbox"/> | 022H91 | 90° Swing In/Out Front Mount | NC |
| <input type="checkbox"/> | 022H9 | 70° Hvy Dty Fnt Mount Lift-Off | NC |
| <input type="checkbox"/> | 022H10 | 80° Hvy Dty Fnt Mount Lift-Off | NC |
| <input type="checkbox"/> | 022H11 | 90° Hvy Dty Fnt Mount Lift-Off | NC |
| <input type="checkbox"/> | 022H14 | 90° Elevating | \$313.00 |

| Extensions (may interfere with some seat heights & casters) | | | |
|---|--------|------------------|---------|
| <input type="checkbox"/> | 022E23 | 2" (not mounted) | \$49.00 |
| <input type="checkbox"/> | 022E24 | 4" (not mounted) | \$49.00 |

| Footplate | | | |
|--------------------------|--------|---|----------|
| <input type="checkbox"/> | 022F9 | Kids Angle Adjustable (not avail. w/17"-18" widths) | NC |
| <input type="checkbox"/> | 022F8 | Adult Angle Adj. (Available with 10"-18" widths) | \$162.00 |
| <input type="checkbox"/> | 022F62 | Footboard (Available with 10"-16" widths) | \$212.00 |

Ext. Tube Mounted Footrests (Footplates Mount to Ext. Tube)

| Hanger Type | | | |
|--------------------------|---------|---|----------|
| <input type="checkbox"/> | 022H85 | 60° Swing In/Out | NC |
| <input type="checkbox"/> | 022H86 | 70° Swing In/Out | STD |
| <input type="checkbox"/> | 022H116 | 80° Swing In/Out (n/a with 6" or 8" Casters) | STD |
| <input type="checkbox"/> | 022H24 | Articulating (not avail. w/ 12"-13" composite footplate) | \$485.00 |
| <input type="checkbox"/> | 022H14 | Elevating (Not avail. w/ composite or platform footplates or < 16" width) | \$313.00 |

| Extensions | | | |
|--------------------------|--------|-----------------------------------|---------|
| <input type="checkbox"/> | 022E1 | Short (11.5" - 14") | NC |
| <input type="checkbox"/> | 022E2 | Med (14" - 17") Not avail. w/ ELR | NC |
| <input type="checkbox"/> | 022E5 | Long (17" - 19") | NC |
| <input type="checkbox"/> | 022E16 | High Mount | \$90.00 |

| Footplate | | | |
|--------------------------|--------|---|----------|
| <input type="checkbox"/> | 022F1 | Composite (not avail. In 10", 11" or 12" width) | STD |
| <input type="checkbox"/> | 022F3 | Aluminum Angle Adjustable | \$162.00 |
| <input type="checkbox"/> | 022F4 | Kids Angle Adjustable (not avail. w/17"-18" width) | NC |
| <input type="checkbox"/> | 022F5 | Aluminum (Only available with elevating legrests 14"-18") | NC |
| <input type="checkbox"/> | 022F48 | Platform Flip-Up (Avail on 60° 70° and 80° ext. mount hangers only) | \$212.00 |

Footrest Hanger Options

| | | | |
|--------------------------|---------|---|-----------|
| <input type="checkbox"/> | 022IG2 | Neoprene Covers (Avail. on 60°/70°/80° ext. mount hangers only) | \$57.00 |
| <input type="checkbox"/> | 022A54 | Extra Single Leg Strap | \$57.00 |
| <input type="checkbox"/> | 022A110 | Toe Loop (Only avail. w/ adult angle adjust. footplates) | \$39.00 |
| <input type="checkbox"/> | 022HL1 | Heel Loops | NC |
| <input type="checkbox"/> | 022H32 | Omit Hanger | (\$16.00) |
| <input type="checkbox"/> | 022F7 | Omit Footplate & Ext. Tube | (\$16.00) |
| <input type="checkbox"/> | 022HL4 | Omit Heel Loop | NC |
| <input type="checkbox"/> | 022HL6 | Omit Single Leg Strap | NC |

Mark For: _____

| | | | |
|--|--|--|--|
| | | | |
|--|--|--|--|

| ✓ | Option # | Definition | Price | ✓ | Option # | Definition | Price |
|---|----------|------------|-------|---|----------|------------|-------|
|---|----------|------------|-------|---|----------|------------|-------|

10. CASTERS

| Caster Wheel | | | |
|--------------------------|---------|--|----------|
| <input type="checkbox"/> | 022CW30 | 3" Micro Light Up | \$67.00 |
| <input type="checkbox"/> | 022CW31 | 4" Micro Light Up | \$101.00 |
| <input type="checkbox"/> | 022CW3 | 4" Polyurethane | NC |
| <input type="checkbox"/> | 022CW51 | 5" Micro Light Up | \$101.00 |
| <input type="checkbox"/> | 022CW5 | 5" Low-Profile Polyurethane | STD |
| <input type="checkbox"/> | 022CW7 | 5" x 1.5" Semi-Pneumatic | \$101.00 |
| <input type="checkbox"/> | 022CW33 | 6" Pneumatic | \$101.00 |
| <input type="checkbox"/> | 022CW34 | 6" Polyurethane | NC |
| <input type="checkbox"/> | 022CW35 | 6" x 1.5" Semi-Pneumatic | \$101.00 |
| <input type="checkbox"/> | 022CW21 | 8" Pneumatic (not avail. w/ 90° Hangers or kids frame length) | \$134.00 |
| <input type="checkbox"/> | 022CW32 | 8" Polyurethane (not avail. w/ 90° Hangers or kids frame length) | NC |
| <input type="checkbox"/> | 022CW39 | 8" x 1.5" Semi-Pneumatic (not avail. w/ 90° Hangers or kids frame length) | \$134.00 |
| <input type="checkbox"/> | 022CW36 | 8" x 2" Pneumatic (not avail. w/ 90° Hangers or kids frame length) | \$228.00 |
| <input type="checkbox"/> | 022CW37 | 8" x 2" Pneumatic Inserts (not avail. w/ 90° Hangers or kids frame length) | \$363.00 |

| Caster Options | | | |
|--------------------------|---------|---|----------|
| <input type="checkbox"/> | 022CS5 | 3/4" Longer Fork Stem Bolt | NC |
| <input type="checkbox"/> | 022CS9 | 1 1/2" Longer Fork Stem Bolt | NC |
| <input type="checkbox"/> | 022CS3 | Caster Pin Locks (Not available with 8" x 2" or Transit Opt.) | \$140.00 |
| <input type="checkbox"/> | 022CW38 | Omit Caster, Wheels & Tires | NC |

| Front Seat to Floor Height Guide (Reference Only) | | | | | | | | |
|---|-------------|------|------|------|-------|---------|-------|--|
| Rear Wheel Size | CASTER SIZE | | | | | | | |
| | 3" | 4" | 5" | 6" | 8"x1" | 8"x1.5" | 8"x2" | |
| 12" | 16.5 | 16.5 | 16.5 | 16.5 | N/A | N/A | N/A | |
| | 17.0 | 17.0 | 17.0 | 17.0 | | | | |
| 12" Low Poly | 15.5 | 15.5 | 15.5 | 15.5 | N/A | N/A | N/A | |
| | 16.0 | 16.0 | 16.0 | 16.0 | | | | |
| 16" | 15.5 | 15.5 | 15.5 | 15.5 | N/A | N/A | N/A | |
| | 16.0 | 16.0 | 16.0 | 16.0 | | | | |
| 18" | 15.0 | 15.0 | 15.0 | | N/A | N/A | N/A | |
| | 15.5 | 15.5 | 15.5 | | | | | |
| | 16.0 | 16.0 | 16.0 | 16.0 | | | | |
| | 16.5 | 16.5 | 16.5 | 16.5 | | | | |
| 20" | 17.0 | 17.0 | 17.0 | 17.0 | N/A | N/A | N/A | |
| | 15.0 | 15.0 | 15.0 | | | | | |
| | 15.5 | 15.5 | 15.5 | | | | | |
| | 16.0 | 16.0 | 16.0 | 16.0 | | | | |
| | 16.5 | 16.5 | 16.5 | 16.5 | | | | |
| | 17.5 | 17.5 | 17.5 | 17.5 | | | | |
| 22" | 18.0 | 18.0 | 18.0 | 18.0 | 18.0 | 18.0 | 18.0 | |
| | 18.5 | 18.5 | 18.5 | 18.5 | 18.5 | 18.5 | 18.5 | |
| | 19.0 | 19.0 | 19.0 | 19.0 | 19.0 | 19.0 | 19.0 | |
| | 15.5 | 15.5 | 15.5 | | N/A | N/A | N/A | |
| | 16.0 | 16.0 | 16.0 | 16.0 | | | | |
| | 16.5 | 16.5 | 16.5 | 16.5 | | | | |
| 17.0 | 17.0 | 17.0 | 17.0 | | | | | |
| 17.5 | 17.5 | 17.5 | 17.5 | | | | | |
| 18.0 | 18.0 | 18.0 | 18.0 | | | | | |
| 24" | 18.5 | 18.5 | 18.5 | 18.5 | 18.5 | 18.5 | 18.5 | |
| | 19.0 | 19.0 | 19.0 | 19.0 | 19.0 | 19.0 | 19.0 | |
| | 16.0 | 16.0 | 16.0 | 16.0 | N/A | N/A | N/A | |
| | 16.5 | 16.5 | 16.5 | 16.5 | | | | |
| | 17.0 | 17.0 | 17.0 | 17.0 | | | | |
| | 17.5 | 17.5 | 17.5 | 17.5 | | | | |
| | 18.0 | 18.0 | 18.0 | 18.0 | | | | |
| | 18.5 | 18.5 | 18.5 | 18.5 | | | | |
| 19.0 | 19.0 | 19.0 | 19.0 | | | | | |
| 19.5 | 19.5 | 19.5 | 19.5 | | | | | |
| | 19.5 | 19.5 | 19.5 | 19.5 | 19.5 | 19.5 | | |
| | | 20.0 | 20.0 | 20.0 | 20.0 | 20.0 | 20.0 | |

Based on rear seat to floor height up to 1.5" lower than front seat to floor height. To achieve desired seat height see matrices on last page.

Mark For: _____

| ✓ | Option # | Definition | Price | ✓ | Option # | Definition | Price |
|---|----------|------------|-------|---|----------|------------|-------|
|---|----------|------------|-------|---|----------|------------|-------|

11. AXLES AND WHEELS

Axle Plate

| | | | |
|--------------------------|---------|--|------------|
| <input type="checkbox"/> | 022AL2 | Standard | NC |
| <input type="checkbox"/> | 022AL81 | Amputee | \$191.00 |
| <input type="checkbox"/> | 022AL16 | One Arm Drive (Avail with 13"-16" widths only) (Not avail. w/ amputee axle plate, 12", 16" or 18" wheels.) | \$1,276.00 |
| <input type="checkbox"/> | 022OA2 | Standard Handrim | NC |
| <input type="checkbox"/> | 022HM1 | Right | NC |
| <input type="checkbox"/> | 022HM2 | Left | NC |
| <input type="checkbox"/> | 022OA1 | Small Handrim (not avail w/20" rear wheels) | NC |
| <input type="checkbox"/> | 022HM1 | Right | NC |
| <input type="checkbox"/> | 022HM2 | Left | NC |

Axle

| | | | |
|--------------------------|---------|---|----------|
| <input type="checkbox"/> | 022AX1 | Quick Release | NC |
| <input type="checkbox"/> | 022AX11 | Quad Quick Release (not available with Lite Spokes) | \$168.00 |

Rear Wheel Size

| | | | |
|--------------------------|---------|---------------------------------------|---------|
| <input type="checkbox"/> | 022RW48 | 12" Mag (Not available with handrims) | \$43.00 |
| <input type="checkbox"/> | 022RW14 | 16" Mag (Not available with handrims) | NC |

Rear Wheel Size - Cont

| | | | |
|--------------------------|---------|------------------------|-----------|
| <input type="checkbox"/> | 022RW3 | 20" Mag | NC |
| <input type="checkbox"/> | 022RW8 | 22" Mag | STD |
| <input type="checkbox"/> | 022RW1 | 24" Mag | NC |
| <input type="checkbox"/> | 022RW12 | 18" Spoke | \$150.00 |
| <input type="checkbox"/> | 022RW74 | 20" Lite Spoke | NC |
| <input type="checkbox"/> | 022RW75 | 22" Lite Spoke | NC |
| <input type="checkbox"/> | 022RW54 | 24" Lite Spoke | \$295.00 |
| <input type="checkbox"/> | 022RW25 | Omit Rear Wheel & Axle | (\$44.00) |

Rear Wheel Tire

| | | | |
|--------------------------|--------|---|----------|
| <input type="checkbox"/> | 022RT1 | Pneumatic | NC |
| <input type="checkbox"/> | 022RT2 | Pneumatic Airless Insert | \$228.00 |
| <input type="checkbox"/> | 022RT3 | Full Polyurethane (Not avail. w/ 12", 16" and 18" rear wheels) | NC |
| <input type="checkbox"/> | 022RT4 | Low Polyurethane (Only available with 12" and 24" wheels) | NC |
| <input type="checkbox"/> | 022RT6 | High Pressure Clincher (Avail. w/ 24" spoke wheels, not avail. With mag wheels) | \$96.00 |

Handrim

| | | | |
|--------------------------|--------|---|-----------|
| <input type="checkbox"/> | 022HR1 | Aluminum Anodized | NC |
| <input type="checkbox"/> | 022HR4 | Plastic Coated | \$134.00 |
| <input type="checkbox"/> | 022HR7 | Omit (Not available with wheel/axle credit) | (\$12.00) |

Projections (Not Available on Plastic Coated)

Only available with 24" wheels

| | | | |
|--------------------------|--------|-----------|----------|
| <input type="checkbox"/> | 022HR8 | 8 Oblique | \$134.00 |
|--------------------------|--------|-----------|----------|

Hub Lock

Note: Only available with 12" or 16" wheels. Not available with one arm drive.

| | | | |
|--------------------------|---------|--------------|----------|
| <input type="checkbox"/> | 022LK01 | 12" Hub Lock | \$150.00 |
| <input type="checkbox"/> | 022LK02 | 16" Hub Lock | \$150.00 |

Wheel Lock

Not available with Hub Lock

| | | | |
|--------------------------|---------|---|----|
| <input type="checkbox"/> | 022WL1 | High Mount Push (not avail. w/kids frame and 24" rear wheels) | NC |
| <input type="checkbox"/> | 022WL2 | High Mount Pull (not avail. w/kids frame and 24" rear wheels) | NC |
| <input type="checkbox"/> | 022WL25 | Foot Lock (may limit folding width & n/a w/ 24" rear wheels and kids frame) | NC |
| <input type="checkbox"/> | 022WL10 | Omit | NC |

Extension Handle

| | | | |
|--------------------------|--------|---------|---------|
| <input type="checkbox"/> | 022EH1 | 6" Pair | \$67.00 |
|--------------------------|--------|---------|---------|

Anti-Tip

| | | | |
|--------------------------|--------|---|----------|
| <input type="checkbox"/> | 022AO1 | Front Anti-Tip (Not avail. with caster pin locks or transit opt.) | \$145.00 |
| <input type="checkbox"/> | 022AT1 | Rear Anti-Tip | \$111.00 |

Mark For: _____

| ✓ | Option # | Definition | Price | ✓ | Option # | Definition | Price |
|---|----------|------------|-------|---|----------|------------|-------|
|---|----------|------------|-------|---|----------|------------|-------|

12. ACCESSORIES

Back Pack (Kids Backpack included)

| | | | |
|--------------------------|-------|--------------------------------|----------|
| <input type="checkbox"/> | 022A1 | Utility Backpack - Black | \$103.00 |
| <input type="checkbox"/> | 022A2 | Additional Kids Black Backpack | \$96.00 |

Seat Pouch

| | | | |
|--------------------------|-------|-------|---------|
| <input type="checkbox"/> | 022A8 | Black | \$77.00 |
|--------------------------|-------|-------|---------|

Miscellaneous

| | | | |
|--------------------------|--------|---------------------------------|----------|
| <input type="checkbox"/> | 022A82 | Caddy | \$83.00 |
| <input type="checkbox"/> | 022A83 | Tool Kit | \$39.00 |
| <input type="checkbox"/> | 022A49 | Crutch Holder-Assem. Fold Chair | \$106.00 |

Positioning Belt (w/clamps)

| | | | |
|--------------------------|---------|----------------------------------|----------|
| <input type="checkbox"/> | 022A112 | 1" Dual Pull Side Squeeze Padded | \$122.00 |
| <input type="checkbox"/> | 022A117 | Belt 2" Aircraft Buckle | \$129.00 |
| <input type="checkbox"/> | 022A118 | Belt 2" Aircraft Buckle Padded | \$188.00 |
| <input type="checkbox"/> | 022A141 | Belt 1.5" Auto Buckle w/Clamps | \$90.00 |
| <input type="checkbox"/> | 022A814 | 1" Comfort Fit APB5116 | \$134.00 |

Spoke Guard

(Not available with 12", 16" and 18" rear wheels or projections)

| | | | |
|--------------------------|---------|--------------|----------|
| <input type="checkbox"/> | 022A23 | Black | \$145.00 |
| <input type="checkbox"/> | 022A303 | Clear Zippie | \$145.00 |

Upper Extremity Support Tray

| | | | |
|--------------------------|--------|-----------------------------|----------|
| <input type="checkbox"/> | 022A29 | X-Small (Suggested 10"-12") | \$351.00 |
| <input type="checkbox"/> | 022A30 | Small (Suggested 13"-14") | \$351.00 |
| <input type="checkbox"/> | 022A31 | Medium (Suggested 15"-17") | \$351.00 |

Side Guard

(Not available with height adjustable armrests and T-Posts)

| | | | |
|--------------------------|---------|-------------|----------|
| <input type="checkbox"/> | 022SG33 | Plastic Std | \$173.00 |
| <input type="checkbox"/> | 022SG29 | Plastic Low | \$173.00 |

Canopy (Sun Shade)

(Need 2" back post clearance to mount canopy hardware, may require next height based on seating; please note some interference may occur with some headrest configurations)

| | | | |
|--------------------------|---------|----------------------------------|----------|
| <input type="checkbox"/> | 0228A06 | Canopy (Sun shade) 10"-14" Width | \$396.00 |
| <input type="checkbox"/> | 0228A07 | Canopy (Sun shade) 15"-20" Width | \$396.00 |

Zippie 2 Seat Height Setup

| Caster Fork Size | Caster Stem | Caster Fork Hole Position | CASTER SIZE | | | | | | | | |
|------------------------------------|-------------|---------------------------|-------------|------|------|------|------|-------|------|------|--|
| | | | 3 | 4 | 5 | 6 | 8x1 | 8x1.5 | 8x2 | | |
| 5-1/4 (N/A with 8x2 Caster) | Std | 1 | | | 15 | | | | | | |
| | | 2 | | 15 | 15.5 | 16 | | | | | |
| | | 3 | 15 | 15.5 | 16 | 16.5 | | | | | |
| | | 4 | 15.5 | 16 | 16.5 | 17 | 18 | 18 | | | |
| | +3/4" | 1 | | | 16 | | | | | | |
| | | 2 | | 16 | 16.5 | 17 | | | | | |
| | | 3 | 16 | 16.5 | 17 | 17.5 | | | | | |
| | | 4 | 16.5 | 17 | 17.5 | 18 | 19 | 18.5 | | | |
| | +1-1/2" | 1 | | | 16.5 | | | | | | |
| | | 2 | | 16.5 | 17 | 17.5 | | | | | |
| | | 3 | 16.5 | 17 | 17.5 | 18 | | | | | |
| | | 4 | 17 | 17.5 | 18 | 18.5 | 19.5 | 19.5 | | | |
| 6" (N/A with 8x2 Caster) | Std | 1 | | | 16 | 16.5 | | | | | |
| | | 2 | | 16 | 16.5 | 17 | 18 | 17.5 | | | |
| | | 3 | 16 | 16.5 | 17 | 17.5 | 18.5 | 18 | | | |
| | | 4 | 16.5 | 17 | 17.5 | 18 | 19 | 18.5 | | | |
| | +3/4" | 1 | | | 16.5 | 17 | | | | | |
| | | 2 | | 16.5 | 17 | 17.5 | 18.5 | 18.5 | | | |
| | | 3 | 16.5 | 17 | 17.5 | 18 | 19 | 19 | | | |
| | | 4 | 17 | 17.5 | 18 | 18.5 | 19.5 | 19.5 | | | |
| | +1-1/2" | 1 | | | 17.5 | 18 | 18.5 | 19.5 | 19 | | |
| | | 2 | | 17.5 | 18 | 18.5 | 19 | 20 | 19.5 | | |
| | | 3 | 17.5 | 18 | 18.5 | 19 | 20 | 20.5 | 20 | | |
| | | 4 | 18 | 18.5 | 19 | 19.5 | 20.5 | 20.5 | | | |
| 7" (N/A with 8x2 Caster) | Std | 1 | | | 17 | 17.5 | 18 | 19 | 18.5 | 18 | |
| | | 2 | | 17 | 17.5 | 18 | 19 | 18.5 | | | |
| | | 3 | 17 | 17.5 | 18 | 18.5 | 19.5 | 19 | | | |
| | | 4 | 17.5 | 18 | 18.5 | 19 | 20 | 19.5 | | | |
| | +3/4" | 1 | | | 17.5 | 18 | 18.5 | 19 | 19 | | |
| | | 2 | | 17.5 | 18 | 18.5 | 19.5 | 19.5 | | | |
| | | 3 | 17.5 | 18 | 18.5 | 19 | 20 | 20 | | | |
| | | 4 | 18 | 18.5 | 19 | 19.5 | 20.5 | 20.5 | | | |
| | +1-1/2" | 1 | | | 18.5 | 19 | 19.5 | 20 | 20 | | |
| | | 2 | | 18.5 | 19 | 19.5 | 20.5 | 20.5 | | | |
| | | 3 | 18.5 | 19 | 19.5 | 20 | 21 | 20.5 | | | |
| | | 4 | 19 | 19.5 | 20 | 20.5 | 21.5 | 21 | | | |
| 8" Wide (must use with 8x2 caster) | Std | 1 | | | | | | | | 18 | |
| | | 2 | | | | | | | | 19 | |
| | +3/4" | 1 | | | | | | | | 18.5 | |
| | | 2 | | | | | | | | 19.5 | |
| | +1-1/2" | 1 | | | | | | | | 19.5 | |
| | | 2 | | | | | | | | 20.5 | |

