

ORDER FORM



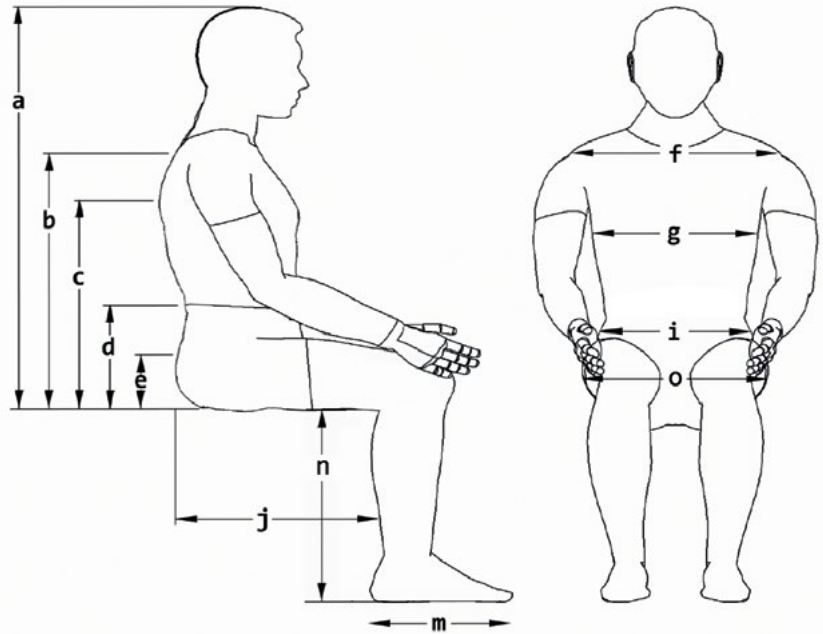
Q300M with SEDEO[®] PRO[™]
and JAY[®] Syncra[™] Seating

EIPW40

Customer		Ship To	
Account #		Name	
Date		Address	
PO#		City	
Buyer		Province	Postal Code
Mark For		Phone	

Client Measurements

a) Top of head to seat	in
b) Top of shoulder to seat	in
c) Underarm to seat	in
d) Elbow to seat	in
e) Top of leg to seat	in
f) Shoulder width	in
g) Chest width	in
i) Hip width	in
j) Actual sitting depth	in
m) Foot length	in
n) Knee to foot	in
o) Seat width	in



Notes

Chair Specifications

Weights starting at: (with Batteries)	NPC: 287 lbs SPC: 312 lbs MPC: 322 lbs
Power Seating	50° of CG Tilt and Power Recline with 4" mechanical sheer reduction / 12" seat elevator
Seat Type	SEDEO® PRO™ / JAY® Syncra™
Seat Size Range	Width 16" to 22" Depth 14" to 22"
Seat-to-Floor Height Range	16.5" to 19"

Mid-Wheel Drive Base Specifications

Drive Wheel Position	Mid-wheel drive
User Weight Capacity	300 lbs.
Base Size	Width 20.5", Length 33"
Minimum Turning Radius	17" (excludes footplates)
Drive Control	R-net PM 90A / VR-2 90A
Driving Range	Up to 17 miles
Drive Motors	4-pole 6 mph / 10 kph
Drive Wheels	12" w/flat-free inserts (black) 14" w/flat-free inserts (black)
Casters	7" front / 7" rear (black)
Charger	8A Dual Mode (Compact)
Battery Size	50Ah Group 22
Color	9 shroud colors and 7 color accents
Ground Clearance	3"

BASE			
OPTION		DESCRIPTION	RETAIL
Standard Duty Mid Wheel Drive Base <i>End Item Number EIPW40 (PRO™ Seat)</i>			\$
400PC291		Quickie Q300 M NPC No Power Option for SEDEO® PRO™ Seat Included in Base Pricing : Q300 M Base, VR-2 90amp Electronics for No Power Seat Functions, Six-Wheel Suspension, 12" Drive Wheels with Dual Density Inserts, 7" Flat Free Casters, ISO Occupied Tie-Down Brackets and 8amp Charger. Max Speed = 6mph, Weight Capacity = 300lbs., STFH = 16.5".	\$8,072.00
400PC292		Quickie Q300 M SPC Single Power Option for SEDEO® PRO™ Seat Included in Base Pricing : Q300 M Base, VR-2 90amp Electronics for No Power Seat Functions, Six-Wheel Suspension, 12" Drive Wheels with Dual Density Inserts, 7" Flat Free Casters, ISO Occupied Tie-Down Brackets and 8amp Charger. Max Speed = 6mph, Weight Capacity = 300lbs., STFH = 16.5".	\$8,072.00
400PC293		Quickie Q300 M MPC Tilt/Recline for SEDEO® PRO™ Seat Included in Base Pricing: Q300 M Base, VR-2 90amp Electronics for No Power Seat Functions, Six-Wheel Suspension, 12" Drive Wheels with Dual Density Inserts, 7" Flat Free Casters, ISO Occupied Tie-Down Brackets and 8amp Charger. Max Speed = 6mph, Weight Capacity = 300lbs., STFH = 16.5".	\$8,072.00
User Weight			\$
400WG23		Up to 300 lbs.	NC
Motor Package			\$
400PF99		4-pole 10 kph / 6 mph	NC
Tracking			\$
400MI01		SureTrac® Module & Motor Encoders <i>(Improves drive tracking)</i>	\$1,696.00
Drive Wheels			\$
400DW13		Drive Wheel, 12", Solid, Knobby, Black	NC
400DW58		Drive Wheel, 14", Solid, Knobby, Black	NC
Caster Wheels			\$
400CW59		Caster Wheels 7", Solid, Black	NC
Shroud Colour			\$
400C164		Black	NC
400C165		Candy Apple Red	NC
400C166		Candy Blue	NC
400C167		Candy Purple	NC
400C176		Green Apple	NC
400C178		Pearl Pink	NC
400C182		Silver	NC
400C125		White	NC

BASE			
OPTION		DESCRIPTION	RETAIL
Colour Accents <i>Note: Color Accents and Shroud Colors may not match.</i>			\$
400E220		Apple Green	NC
400E222		Black	NC
400E221		Blue	NC
400E223		Orange	NC
400E224		Red	NC
400E219		White	NC
400E225		Silver	NC
Service Decals			\$
400D10		Army	NC
400D11		Air Force	NC
400D13		Marines	NC
400D14		Navy	NC
400D15		Purple Heart	NC
ISO Transit Tie Downs			\$
400T050		ISO Transit Package	NC
LED Lights			\$
400LI04		LED Lights and Indicators	\$1,225.00
400LI11		LED Lights and Indicators <i>(Available with 4 Power Seat Functions)</i>	NC
400LI08		LED Fender Lights	\$646.00
400LI09		LED Fender Lights <i>(Available w/Multi-Power only)</i>	NC
400LI02		Omit LED Lights	NC
Seat Heights			\$
Seat Height <i>Measured from front of seat pan to floor with 0° frame angle. Not all seat heights are available with all seat depths and power seating. Please see online configurator for full availability.</i>			
400HT103		16.5"	NC
400HT55		17"	NC
400HT104		17.5"	NC
400HT56		18"	NC
400HT105		18.5"	NC
400HT57		19"	NC
Batteries and Chargers			\$
Group 22 Battery			
400AG35		GP22 / 50Ah Flat Top Pair	\$678.00
Omit Batteries			
400AG24		Battery Harnesses Only <i>(Omit Batteries)</i>	NC
Chargers			
400BJ30		10A Dual Mode (Compact)	\$162.00
400BJ19		8A Dual Mode (Compact)	NC

POWERED SEATING

OPTION	DESCRIPTION	RETAIL
Power Seating Options \$		
Seat Elevator		
400PI07	Seat Elevator, Powered, 300 mm / 12"	\$3,477.00
400PI08	C-Me® Seat Elevator, Powered, 300 mm / 12" (C-Me speed up to 3 mph) (N/A with VR-2)	\$3,477.00
Seat Tilt		
400PA48	Posterior 50° Tilt	\$6,496.00
Seat Recline		
400PA37	150° Powered Recline w/ 4" Shear Reduction	\$8,001.00
Seat Tilt/Recline		
400PA41	Posterior 50° Tilt and 150° Recline Powered, w/ 4" Shear Reduction	\$13,275.00
Power Recline Backrest Preset Home Angle		
400QK1	90°	NC
400QK2	95° (Default Position)	NC
Pre Set Seat Frame Angle (No Power Seating Options, Increases Seat to Floor Height) \$		
400FA10	0° (Adds 0" to STFH)	NC
400FA3	3° (Adds 1" to STFH)	NC
Backrest Frame Type \$		
400BF16	Tool Angle Adjustable Back, 90°-120°	NC
400BF14	User Adjustable Manual Semi-Recline Back, 90°-130°, Right (Adjustment Lever Mounted on Opposite Side of Joystick)	\$633.00
400BF15	User Adjustable Manual Semi-Recline Back, 90°-130°, Left (Adjustment Lever Mounted on Opposite Side of Joystick)	\$633.00
Backrest Frame Option \$		
400BF13	Flip Down, Quick Release	\$179.00
Back Cushion Type \$		
400BT134	SEDEO® Back Cushion (Choose Seating in Section A)	NC
400BT138	JAY® Syncra™ (Choose Seating in Section B)	NC
400BT135	JAY® J3® (Choose Seating in Section C)	NC
400BT137	SEDEO® PRO™ Aftermarket Back Adapter (Height Adjustable Round Tubes for Traditional Mounting)	\$633.00
400BT133	OMIT (For personalized Mounting. No Headrest Mount)	NC

POWERED SEATING

OPTION	DESCRIPTION	RETAIL
--------	-------------	--------

A - SEDEO® Backrest Dimensions

\$

Back Width

400BN28	400mm / 16"	NC
400BN29	460mm / 18"	NC
400BN30	500mm / 20"	NC
400BN31	560mm / 22"	NC

Back Shell Height

		Tool Angle Adjust.	150° Recline	Installed Back Height	
400B255	460mm / 18"	22"-23"	23"-25"		NC
400B256	560mm / 22"	24"-27"	26"-29"		NC
400B257	660mm / 26"	28"-30"	30"		NC

Installed Back Height - (From Pan to Top of Back)

400JR32	22"	NC
400JR33	23"	NC
400JR34	24"	NC
400JR35	25"	NC
400JR36	26"	NC
400JR37	27"	NC
400JR38	28"	NC
400JR39	29"	NC
400JR40	30"	NC

POWERED SEATING

OPTION	DESCRIPTION	RETAIL
--------	-------------	--------

B - JAY® Syncra™ Seating**B - JAY® Syncra™ Back**  P. 23 \$

400JP14	JAY® Syncra™ Back 16-20" Wide with 3" Contour Depth	\$1,339.00
400JP15	JAY® Syncra™ Back 22" Wide with 3" Contour Depth	\$1,339.00

B - JAY® Syncra™ Back Width \$

Back can be ordered a different width than seat pan. Armrest will be adjusted to back width ordered.

400JQ07	16" Wide (Adjustment range 16 to 17" Wide)*	NC
400JQ08	18" Wide (Adjustment range 18 to 19" Wide)*	NC
400JQ09	20" Wide (Adjustment range 20 to 21" Wide)*	NC
400JQ10	22" Wide (Adjustment range 22 to 23" Wide)	NC

*Additional +1" of shell width adjustment is achievable. Requires purchase of 1" larger foam and upholstery separately.

B - JAY® Syncra™ Back Shell Options and Height Ranges \$

JAY® Syncra™ Back shells are mounted with a minimim 5.5" gap between the bottom of the shell to the seat pan to accommodate the mechanical shear. Back height can be adjusted in the field with-in the ranges shown based on the back frame type.

JAY® Syncra™ Shell Height

400JR42	16" Tall Shell (22" to 24" Back Height)	NC
400JR43	18" Tall Shell (24" to 26" Back Height)	NC
400JR44	20" Tall Shell (26" to 28" Back Height)	NC
400JR45	22" Tall Shell (28" to 30" Back Height)	NC

JAY® Syncra™ Back Installed Back Height (From Pan to Top of Back)

400JR50	22" (16" Shell Height)	NC
400JR51	23" (16" Shell Height)	NC
400JR52	24" (16" Shell Height)	NC
400JR53	24" (18" Shell Height)	NC
400JR54	25" (18" Shell Height)	NC
400JR55	26" (18" Shell Height)	NC
400JR56	26" (20" Shell Height)	NC
400JR57	27" (20" Shell Height)	NC
400JR58	28" (20" Shell Height)	NC
400JR67	28" (22" Shell Height)	NC
400JR68	29" (22" Shell Height)	NC
400JR69	30" (22" Shell Height)	NC

B - JAY® Syncra™ Back Upholstery \$

400BU96	Syncra™ Premium Leatherette	NC
400BU97	Syncra™ Stretch	NC

POWERED SEATING

OPTION	DESCRIPTION	RETAIL
C - JAY® J3® Back		
C - JAY® J3® Back - Contour \$		
400JP01	J3® PA Back for 16"-20" Wide	\$912.00
400JP02	J3® PA Back for 22" Wide	\$1,941.00
400JP11	J3® PL Back for 16"-20" Wide	\$986.00
400JP13	J3® PD Back for 16"-20" Wide <i>(18" and 21" Shell Height Only)</i>	\$1,068.00

C - JAY® J3® Back Width \$

Back can be ordered a different width than seat pan. Armrest will be adjusted to back width ordered.

400JQ02	16"	NC
400JQ03	18"	NC
400JQ04	20"	NC
400JQ05	22"	NC

C - JAY® J3® Back Shell Options and Height Ranges \$

JAY® J3® shells are mounted with a minimim 4" gap between the bottom of the shell to the seat pan to accommodate the mechanical shear. Back height can be adjusted in the field within the ranges shown.

JAY® J3® Shell Height			Tool Angle Adjust.	150° Recline	Installed Back Height	
400JR41	15" tall shell <i>(Upper Thoracic Med)</i> for 22" Wide		22"-23"	22"-23"		NC
400JR14	16.5" tall shell <i>(Upper Thoracic Short)</i>		21"-23"	22"-24"		NC
400JR15	18" tall shell <i>(Upper Thoracic Med)</i>		22"-24"	23"-25"		NC
400JR16	19.5" tall shell <i>(Upper Thoracic Tall)</i>		24"-26"	24"-26"		NC
400JR18	18" tall shell <i>(Shoulder Height)</i> for 22" wide		24"	24"		NC
400JR17	21" tall shell <i>(Shoulder Height)</i>		24"-26"	25"-28"		NC
400JR27	22.5" tall shell <i>(Shoulder Height)</i>		26"-28"	27"-30"		NC
400JR28	24" tall shell <i>(Shoulder Height)</i>		27"-29"	28"-30"		NC

JAY® J3® Installed Back Height (From Pan to Top of Back)

400JR29	21"	NC
400JR19	22"	NC
400JR20	23"	NC
400JR21	24"	NC
400JR22	25"	NC
400JR23	26"	NC
400JR24	27"	NC
400JR25	28"	NC
400JR30	29"	NC
400JR31	30"	NC

POWERED SEATING

OPTION	DESCRIPTION	RETAIL
--------	-------------	--------

C - JAY® Anterior Thoracic Support

\$

Classic-Structure Pull Down Harness (4 point strap, Only available with JAY® backrest)

400K10	Medium (ATS8302)	\$325.00
400K11	Large (ATS8303)	\$325.00

C - JAY® Lateral Thoracic Swing-Away Supports (Requires Pad, Upholstery and Mount)

\$

JAY® Lateral Thoracic Support Pads

400JW35	Lateral Thoracic (L x H) 100 mm x 127 mm / 4" x 5" Pad - Right	\$73.00
400JW38	Lateral Thoracic (L x H) 100 mm x 127 mm / 4" x 5" Pad - Left	\$73.00
400JW36	Lateral Thoracic (L x H) 100 mm x 152 mm / 4" x 6" Pad - Right	\$73.00
400JW39	Lateral Thoracic (L x H) 100 mm x 52 mm / 4" x 6" Pad - Left	\$73.00
400JW37	Lateral Thoracic (L x H) 152 mm x 100 mm / 6" x 4" Pad - Right	\$73.00
400JW40	Lateral Thoracic (L x H) 152 mm x 100 mm / 6" x 4" Pad - Left	\$73.00

JAY® Lateral Thoracic Support Pad Upholstery

400NU01	Syncra™ Premium Leatherette	NC
400NU02	Syncra™ Stretch	NC

JAY® Lateral Thoracic Swing-Away Mount

400JW41	Lateral Thoracic Swing Away Bracket - Right	\$325.00
400JW42	Lateral Thoracic Swing Away Bracket - Left	\$325.00

C - JAY® Syncra™ Fixed Lateral Support Accessory

\$

JAY® Fixed Lateral Support Accessory Hardware (JAY® Fixed Lateral Support is height adjustable)

400JW33	Fixed Lateral Support Accessory (L x H) 90 mm x 140 mm / 3.5" x 8" - Right	\$190.00
400JW34	Fixed Lateral Support Accessory (L x H) 90 mm x 140 mm / 3.5" x 8" - Left	\$190.00

POWERED SEATING

OPTION	DESCRIPTION	RETAIL
Headrests (Requires Pad, Upholstery, & Mount)		\$
Headrest Pad		
400HE36	SEDEO® Pad Small with Cover (LxH) 240 x 150 mm / 10" x 6" <i>Can only be used with Multi Position Headrest Mount with quick-release and SEDEO® upholstery</i>	\$277.00
400HE38	Whitmyer® Plush Headrest Pad 203 mm / 8"	\$377.00
400HE39	Whitmyer® Plush Headrest Pad 254 mm / 10"	\$377.00
400HE44	Whitmyer® Plush Headrest Pad 356 mm / 14"	\$377.00
400HE46	Whitmyer® Adjust-A-Plush Headrest Pad Medium <i>(Adjustable 7" to 16" Wide x 4" Tall)</i>	\$445.00
400HE48	OMIT Headrest Pad	NC
Headrest Pad Upholstery		
400NU10	SEDEO® Upholstery	NC
400NU04	Syncra™ Premium Leatherette	NC
400NU05	Syncra™ Stretch	NC
400NU11	Whitmyer® Lycra	NC
Headrest Mount		
400MH32	SEDEO® Multi-Position Headrest Mount with Quick Release <i>(Only available with SEDEO® Pad)</i>	\$557.00
400MH33	Whitmyer® Linx Headrest Mount with Quick Release	\$247.00
400MH34	Whitmyer® Linx-2 Headrest Mount with Quick Release	\$298.00
400MH35	Whitmyer® AXYS Headrest Mount with Quick Release	\$247.00
400MH17	OMIT Headrest Mount	NC
Push Handles		\$
400PH27	Height Adjustable Push Handles	\$61.00
Seat Frame Rails		\$
400SN14	Seat Rail Short, for Effective Seat Depth 14" - 18"	\$806.00
400SN15	Seat Rail Long, for Effective Seat Depth 17" - 22"	\$806.00
Seat Cushion Type		\$
400ST81	JAY® Syncra™ (See Section D)	NC
400ST80	JAY® (See Section E)	NC
400ST75	Omit	NC

POWERED SEATING

OPTION	DESCRIPTION	RETAIL
--------	-------------	--------

Seat Size

\$


Seat Pan Width

400R53	16"	NC
400R54	17"	NC
400R55	18"	NC
400R56	19"	NC
400R57	20"	NC
400R58	21" <i>(Not available with JAY® Syncra™ Cushions)</i>	NC
400R59	22"	NC

Seat Pan Depth *(Front of seat pan to front of back cushion – effective depth)*

400RF52	14"	NC
400RF53	15"	NC
400RF51	16"	NC
400RF45	17"	NC
400RF46	18"	NC
400RF47	19"	NC
400RF48	20"	NC
400RF49	21" <i>(Not available with JAY® Syncra™ Cushions)</i>	NC
400RF50	22"	NC

POWERED SEATING

OPTION	DESCRIPTION	RETAIL
D - JAY® Syncra™ Cushion  P.23 (JAY Your Way modifications available through Customer Service (800) 263-3390) \$		
400CU89	JAY® Syncra™ Cushion featuring JAY Flow® Fluid with Cryo™ Technology (16" to 20" wide)	\$1,017.00
400CU90	JAY® Syncra™ Cushion featuring JAY Flow® Fluid with Cryo™ Technology (22" wide)	\$1,125.00

JAY® Syncra™ Cushion Cover Upholstery

400YR73	Syncra™ Premium Leatherette	NC
400YR74	Syncra™ Stretch	NC

E - JAY® Seat Cushion \$

400CU59	JAY® Ion® (Sizes 16" to 21" Wide)	\$505.00
400CU60	JAY® Ion® (Size 22" Wide)	\$698.00
400CU61	JAY® Union® (Sizes 16" to 21" Wide)	\$764.00
400CU62	JAY® Union® (Size 22" Wide)	\$806.00
400CU64	JAY® Fusion® (Sizes 16" to 21" Wide)	\$1,045.00
400CU65	JAY® Fusion® (Size 22" Wide)	\$1,172.00

POSITIONING SUPPORTS & ACCESSORIES

OPTION	DESCRIPTION	RETAIL
--------	-------------	--------

Knee and Thigh Swing-Away Support Pads

\$

Lateral Knee Support Pads and Hardware *(must pick pad and mount)*

400XY05	Lateral Knee Support Pad, Right (4" round)	\$247.00
400XY06	Lateral Knee Support Pad, Left (4" round)	\$247.00
400XX08	Lateral Swing-Away Bracket Knee - Right	\$247.00
400XX09	Lateral Swing-Away Bracket Knee - Left	\$247.00

Lateral Thigh Support Pads and Hardware *(must pick pad and mount)*

400KF22	Lateral Thigh Support Pad Short, Right (5" H x 5" L)	\$146.00
400KF23	Lateral Thigh Support Pad Short, Left (5" H x 5" L)	\$146.00
400KF24	Lateral Thigh Support Pad Long, Right (5" H x 7" L)	\$146.00
400KF25	Lateral Thigh Support Pad Long, Left (5" H x 7" L)	\$146.00
400KF26	Lateral Thigh Removable Mount - Right	\$325.00
400KF27	Lateral Thigh Removable Mount - Left	\$325.00

JAY® Lateral Thigh Supports *(Must pick pad, upholstery, and mount)*

\$

JAY® Lateral Thigh Support Pads

400KF16	Lateral Thigh Support Pad Standard, Right (8.25" x 3.25")	\$146.00
400KF17	Lateral Thigh Support Pad Standard, Left (8.25" x 3.25")	\$146.00
400KF18	Lateral Thigh Support Pad Large, Right (12" x 3.25")	\$146.00
400KF19	Lateral Thigh Support Pad Large, Left (12" x 3.25")	\$146.00

JAY® Lateral Thigh Support Pad Upholstery

400NU07	Syncra™ Premium Leatherette	NC
400NU08	Syncra™ Stretch	NC

JAY® Lateral Thigh Removable Mount

400KF20	Lateral Thigh Removable Mount - Right	\$325.00
400KF21	Lateral Thigh Removable Mount - Left	\$325.00

Armrest Structure

\$

400EG35	Reclining, Flip Back, Long <i>(Height Adjustable 9" to 15")</i>	NC
400EG41	Reclining, Flip Back, Short <i>(Best used with shorter seat depths) (Height Adjustable 9" to 15")</i>	NC
400EG36	Reclining, Flip Back with 2-point post locking arm <i>(Height Adjustable 11" to 15" x 0.625")</i>	\$351.00
400EG51	Reclining, Flip Back, Dual Link Armrest <i>(No Charge for Multi-Power) (Height Adjustable 8" to 15" including length and lateral adjustment)</i>	NC
400EG52	Reclining, Flip Back, Dual Link Armrest <i>(Height Adjustable 8" to 15" including length and lateral adjustment)</i>	\$350.00
400EG32	Single Post, Flip Back <i>(N/A with thigh support) (Height Adjustable 10" to 15")</i>	NC

POSITIONING SUPPORTS & ACCESSORIES

OPTION	DESCRIPTION	RETAIL
Arm Pads \$		
SEDEO® Armrest Pad		
400AB43	300 mm / 12", Integral Foam, Right	NC
400AE43	300 mm / 12", Integral Foam, Left	NC
400AB44	400 mm / 16", Integral Foam, Right	NC
400AE44	400 mm / 16", Integral Foam, Left	NC
Comfort Arm Pad (Foam)		
400AB46	2" Wide Right	\$113.00
400AE46	2" Wide Left	\$113.00
Comfort Arm Pad (Gel)		
400AB48	2" Wide Right	\$213.00
400AE48	2" Wide Left	\$213.00
Ottobock® Arm Troughs		
400AE06	Ottobock Arm Trough, Med (12"), Left	\$139.00
400AB06	Ottobock Arm Trough, Med (12"), Right	\$139.00
400AE07	Ottobock Arm Trough, Large (14"), Left	\$139.00
400AB07	Ottobock Arm Trough, Large (14"), Right	\$139.00
400OL01	Ottobock Hand Pad, Med (7"), Left	\$59.00
400OR01	Ottobock Hand Pad, Med (7"), Right	\$70.00
400OL02	Ottobock Hand Pad, Large (9"), Left	\$70.00
400OR02	Ottobock Hand Pad, Large (9"), Right	\$70.00
400AE78	Ottobock 1 Piece Arm Trough (18"), Left	\$198.00
400AB78	Ottobock 1 Piece Arm Trough (18"), Right	\$198.00
Elbow Support \$		
4003A02	Elbow Support Pad, RH 3" x 10" <i>(Includes side support)</i>	\$203.00
4003A03	Elbow Support Pad, LH 3" x 10" <i>(Includes side support)</i>	\$203.00
4003A06	Elbow Support Pad, RH 3" x 3"	\$167.00
4003A07	Elbow Support Pad, LH 3" x 3"	\$167.00
4003A04	Swing-Away Elbow Support Hardware, RH	\$279.00
4003A05	Swing-Away Elbow Support Hardware, LH	\$279.00
Side Guards (Pair) \$		
400SG44	Side Guards Integral Foam (11"L x 5.5"H) <i>(N/A with Reclining Armrests)</i>	\$356.00

POSITIONING SUPPORTS & ACCESSORIES

OPTION	DESCRIPTION	RETAIL
Fixed Centermount Legrest		\$
400H136	Angle Adjustable Centermount Legrest	\$633.00
400H184	Fixed Centermount Legrest, Short <i>(Includes Calf Pads) (11.5" to 14.5" Leg Length)</i>	NC
400H185	Fixed Centermount Legrest, Long <i>(Includes Calf Pads) (13.5" to 18.5" Leg Length)</i>	NC
Power Centermount Legrest		\$
400H109	Power Centermount Legrest, 90° - 0° Angle, 7.5" Extension <i>(Powered Articulation) (3" to 17.5" Leg Length)</i>	\$3,435.00
Centermount Legrest Accessories		\$
Power Centermount Footplates		
400F127	Dual, Height, Width and Angle Adjustable, Standard <i>(14"W x 10"D)</i>	\$284.00
400F128	Dual, Height, Width and Angle Adjustable, Large <i>(16"W x 12"D)</i>	\$284.00
Footplate Accessories (Available with Power Centermounts)		
400D168	Extra Large Centermount Footplate <i>(Single Footplate Overlay 16"W x 12"D)</i>	\$315.00
400D169	Footplate Connector Link <i>(Attaches footplates together)</i>	\$96.00
400D157	Gel Footpads <i>(Pair, LH and RH)</i>	\$401.00
Angle Adjustable / Fixed Centermount Footplates		
400F45	Single/Dual Footplate	NC
Power Centermount Calf Pads		
400D134	Calf Pads, Pair, Standard Integral Foam	NC
400D135	Calf Pads, Pair, Padded <i>(N/A w/ std. footplate)</i>	\$356.00
Angle Adjustable Centermount Calf Pads		
400D149	Calf Pads, Pair, Standard Integral Foam	NC
400D150	Extra Large Single Calf Pad	\$356.00
SEDEO® PRO™ Swing-Away Legrest (Pair) (Footplates, calf supports & options must be selected separately.)		\$
400H177	Legrests, Swing-Away, 70°, SEDEO® PRO™ <i>(14" to 21" Leg Length)</i>	NC
400H178	Legrests, Manual Elevating, Swing-Away, SEDEO® PRO™ <i>(Includes Padded Calf Pads) (14.5" to 21.5" Leg Length)</i>	\$380.00
400H179	Legrests, Power Elevating, Swing-Away, SEDEO® PRO™ <i>(Includes Padded Calf Pads) (15.5" to 22.5" Leg Length)</i>	\$3,435.00
400HI76	Omit Legrests	NC
Swing-Away Legrest Footplates		
400F369	Angle Adjustable Flip-Up Footplates	\$284.00
Swing-Away Legrest Calf Supports		
400D142	Calf Support, Depth Adjustable, Padded <i>(6.5" to 8" Wide, depending on chair width, x 9.5" Tall)</i>	\$512.00
Swing-Away Legrest Options		
400D144	Heel Loops	NC
400KG4	Knee Pads, Integral Foam <i>(2.5" Wide x 4.5" Tall)</i>	\$282.00

POSITIONING SUPPORTS & ACCESSORIES

OPTION	DESCRIPTION	RETAIL
SEDEO® Lower Extremity Swing-Away Support		
400VD01	Lower Extremity Support, Padded, Swing-Away, SEDEO®, Right	\$512.00
400VD02	Lower Extremity Support, Padded, Swing-Away, SEDEO®, Left	\$512.00
Pelvic Positioning Belts		
400A837	Positioning Belt, Auto Style Buckle, 50 mm 1600 mm / 2"	NC
400A839	Positioning Belt, Aircraft Buckle, 50 mm x 1300 mm / 2"	NC
400A840	Positioning Belt, Aircraft Buckle, Padded 50 mm x 1300 mm / 2"	\$103.00
400A845	Bodypoint – Evoflex Pelvic Stabilizer Belt	\$216.00
400A846	Bodypoint – Evoflex Pelvic Stabilizer Belt with Extension	\$271.00
Accessories		\$
Ventilator Option		
400VT12	Vent Tray Fixed (<i>Pulmonetic LTV Models</i>)	\$609.00
O2 Tank Option		
400A718	O2 Tank Holder Mounted to Backrest (<i>D and E Styles</i>)	\$391.00
Wheelchair Tray Table		
4007A09	Tray, Swing-Away	\$381.00
Medial Thigh Support		
4008A80	Medial Thigh Support	\$244.00
4008A81	Pommel Swing-Away Hardware	\$358.00
Backpack		
400A1	Black Utility	\$112.00
Misc. Accessories		
4008A59	Transfer Bar (<i>Pair</i>)	\$493.00
4008A52	Ram Mount Phone	\$77.00
4008A53	Ram Mount Tablet	\$308.00
4008A54	Ram Mount Cup Holder	\$77.00
4008A58	Rear View Mirror	\$77.00
400A611	Crutch Holder	\$115.00
4008A73	Bag for Armrest	\$115.00
4008A75	Reflectors (<i>Backrest shroud mounted</i>)	\$115.00
4009A10	Utility Hooks	\$58.00

JOYSTICK / ELECTRONICS

VR-2 Joystick			\$
400J127		VR-2 Joystick	NC
R-net Joystick (Remote)			\$
400J121		Standard LED Joystick (w/o Screen Display)	NC
400J116		Color Joystick (2.3" Color LCD Screen Display, CJSM1)	NC
400J118		High Resolution Color Joystick, (CJSM2+BT) 3.5" Color LCD Display, Paddle Switches, Programmable Shortcut Keys, ICONs, Stereo Jack, IR and dual (IOS/Android) Bluetooth control	\$1,162.00
400J119		Omit Remote Control (Required with arm mounted specialty controls)	NC
Joystick Mounting			\$
400JM34		Fixed on Armrest	NC
400JM35		Parallel Swing-Away	\$447.00
400JM36		Link-It Mid Line Mount on Armrest (Swing-Away)	\$447.00
400JM49		Attendant (Available with LED or CJSM1 only. Mounted to Push Handle)	NC
Joystick Mount (Location)			\$
400HM16		Right Hand	NC
400HM17		Left Hand	NC
Display Language Selection R-net			\$
400L1		English	NC
400L3		French	NC
400L7		Spanish	NC
Joystick Handle (Optional)			\$
400JH13		Ball Handle	\$110.00
400JH15		T-Handle	\$110.00
400JH24		Bodypoint – Rubber Dome Joystick Handle	\$216.00
400JH25		Bodypoint – U-Shaped Joystick Handle	\$216.00
400JH26		Bodypoint – Grooved Mushroom Joystick Handle	\$216.00
Electronic Programmings			\$
400PR13		R-net PC Wireless Programmer	\$660.00
R-net Power Modules			\$
400ER12		Power Module, VR-2 90A, Non-Expandable	NC
400ER22		Power Module, R-net, 90A, Non-Expandable (Only available with Single Power)	NC
400ER13		Power Module, R-net, 90A, Expandable (Required for Specialty Controls or 3+ Actuators)	\$102.00
<input type="checkbox"/>	400EX11	Expandable 90A Controller - R-net	NC
<input type="checkbox"/>	400EX12	Harness for 90A Expandable Controller	NC

JOYSTICK / ELECTRONICS

OPTION	DESCRIPTION	RETAIL
--------	-------------	--------

Seating Control

\$

Powered Seating Control

400E040	Omit Thru-Drive <i>(Requires Switch Control)</i>	NC
400E037	Thru-drive Control for 1 Actuator	\$1,443.00
400E038	Thru-drive Control for 2+ Actuators	\$2,903.00

Switch Control *(Available with Omit Thru-Drive only) (1 Actuator for Tilt or Elevate only)*

400E033	Dual Toggle for 1 Actuator	NC
400E034	2.5" Single Button Switch for 1 Actuator <i>(Button switches are not mounted)</i>	NC
400E041	Ctrl+5 Switch Box for 2 Actuators or more	NC

Additional Power Seating Control *(Available with Thru-Drive only)*

400QG11	Ctrl+5 Switch Box with Free Assignable Functions	\$1,078.00
400QG12	Ctrl+5 Switch Box with Free Assignable Functions <i>(Multi-power only)</i>	NC

Dual Toggle Mounting Location

400TN1	Toggle Mount, Right	NC
400TN2	Toggle Mount, Left	NC

Ctrl+5 Mounting Location *(Will swing away if mounted on the same side as the joystick)*

400EY19	Right Armrest	NC
400EY20	Left Armrest	NC
400EY21	Back Cane, Right	NC
400EY24	Back Cane, Left	NC

Ctrl+5 Switch Type

400EY22	Push Buttons	NC
400EY23	Toggle Switches	\$356.00

Attendant Controls

\$

4000A05	Dual Control Module for Attendant	\$1,225.00
4000A06	R-net Color LCD (CJSM1), Control Attendant Only	\$1,225.00

Attendant Mounting Location

\$

400DN5	Right Back Cane	NC
400DN6	Left Back Cane	NC

JOYSTICK / ELECTRONICS

OPTION	DESCRIPTION	RETAIL
--------	-------------	--------

R-net Programming

\$

Assignable Buttons

Assignable Button feature allows for personalization of joystick buttons and/or Ctrl+5 Switches allowing access to various wheelchair and seating functions. When enabled, chair will be pre-programmed with seating functions assigned to buttons on the joystick. Assignments can be changed via PC Dongle.

400PM12	Include Assignable Buttons	NC
---------	----------------------------	----

Power Centermount Footplate Extension Option

400IE03	Include 7.5" Powered Footplate Extension for Transfer Assist <i>(Electronics programmed to allow footplates to be extended with or without legrest being raised.) Only Available with Powered Articulation</i>	\$592.00
---------	--	----------

R-net Omni2 Options *For Expandable Controls, choose all that apply.*

\$

400N14	R-net Omni2 Only Input Control Module and 3.5" LCD Display w/ Built-In Infrared and Bluetooth® Choose Mount Below	\$2,384.00
400N15	R-net Omni2 Bundled Input Control Module and 3.5" LCD Display w/ Built-In Infrared and Bluetooth® Bundled Omni2 Available w/ Switch-It Input Devices	NC

Omni2 Mount *If used w/ Standard Joystick, it must be mounted opposite side.*

\$

400DS14	Link-It with Parallel Swing-Away Omni2 Mount w/Rear Mounted Interface, Right	\$698.00
400DS15	Link-It with Parallel Swing-Away Omni2 Mount w/Rear Mounted Interface, Left	\$698.00

SPECIALTY INPUT DEVICES

OPTION	DESCRIPTION	RETAIL
--------	-------------	--------

Hand Control Packages *Requires Standard Joystick Omit / Only one hand control device can be ordered.*

\$

Proportional Input Devices

400EU14	Switch-It MicroGuide	\$4,529.00
400EU17	Switch-It VersaGuide	\$2,557.00
400EU18	Switch-It VersaGuide EZ	\$3,023.00

Mounting Position (Required)

400EM04	Link-It to the Backrest <i>(Not Available w/ Omit Back Cushion Type)</i>	\$1,338.00
400EM05	Link-It to the Fixed Joystick Mount	\$416.00
400EM06	Link-It to the Parallel Swing-Away Joystick Mount	\$416.00
400EM07	Link-It to the Midline Swing-Away	\$1,480.00
400EM08	Omit Mount	NC

Mounting Platforms (Optional) *Not available w/ Link-It to Backrest*

400MG16	SunDisk Hand Tray <i>(Only available w/ MicroSeries Joysticks)</i>	\$416.00
400MG15	Bullet Hand Tray	\$416.00

Mounting Location (Required)

400IM09	Right	NC
400IM10	Left	NC

Switch Options

–	See Switch Selections <i>(Maximum 2)</i>	–
---	--	---

Head Control Packages *(Select headrest mount on next page)*

\$

*Only one head control device can be ordered.***Proportional Input Devices**

400EU25	Switch-It DualPro® Proportional Head Array - Facial Pads	\$7,057.00
400EU26	Switch-It DualPro® Proportional Head Array - Spot Pads	\$7,057.00
400EU51	Switch-It Vigo Head Drive	\$6,293.00

Switched Input Devices

400EU28	Switch-It 3-Switch Head Array - Short Curved Wings	\$6,154.00
400EU30	Switch-It 3-Switch Head Array - Long Curved Wings	\$6,154.00

Switch Options

–	See Switch Selections <i>(Maximum 2)</i>	–
---	--	---

SPECIALTY INPUT DEVICES

OPTION	DESCRIPTION	RETAIL
Sip 'N Puff \$		
400ID73	Switch-It Sip 'N Puff Combo Head Array with Link-It Hardware <i>(Requires headrest mount)</i>	\$7,037.00
400ID74	Switch-It OptiStop with Sip 'N Puff	\$2,741.00
Headrest Mounts <i>(Applies to Head/Sip 'N Puff control packages)</i> \$		
400IJ13	Whitmyer® Linx Headrest Mount with Quick Release	\$247.00
400IJ14	Whitmyer® Linx-2 Headrest Mount with Quick Release	\$298.00
400IJ15	Whitmyer® AXYS Headrest Mount with Quick Release	\$247.00
Chin Control Packages \$		
Proportional Input Devices		
400EU34	Switch-It MicroGuide <i>(Switches mounted to the headrest only.)</i>	\$4,529.00
400EU36	Switch-It VersaGuide	\$2,557.00
400EU37	Switch-It VersaGuide EZ	\$3,023.00
Mounting Position		
400EM09	Link-It To Chin Harness, Small (150mm / 6")	\$1,760.00
400EM10	Link-It To Chin Harness, Large (220mm / 8")	\$1,760.00
400EM11	Link-It To Headrest, Swing-Away	\$1,760.00
400EM16	Omit Mount	NC
Input Device Mounting Location		
400IM13	Right	NC
400IM14	Left	NC
Switch Options		
–	See Switch Selections <i>(Minimum 1 for the Power Chin Boom, Maximum 3)</i>	–
Safety Devices \$		
400SA06	Switch-It Remote Stop Switch - XLR Connector	\$1,317.00
Switched Driving Packages \$		
400SW44	Switch-It™ Cool Cube with DB9 connector for proximity/proportional switch driving. <i>(Pro Spot proportional switches are required if proportional driving is desired.) (For non-proportional driving, single switches can be used.)</i>	\$3,792.00

SPECIALTY INPUT DEVICES

Switches

Single switches can be programmed to activate any function of the wheelchair including: On/Off, Mode, Profile, Speeds, Seating, Memory Positions, Horn, Lights & Indicators, IR functions, Bluetooth mouse clicks, Environmental Controls when plugged into assignable port.

Switches can connect via: Joysticks (Standard, Micro series, Versa series) Omni2, SJX6 Hub, head controls

Switch ordering instructions:

1. Select switch type and quantity in Section "A" using columns below. (Max 6 switches. See limitations below.)
2. Select switch mounting position from Section "B" using corresponding switch column.
3. Select switch mounting location from Section "C" using corresponding switch column.

Section A – Switch Selections

Switch / Quantity

Single Function Switches - Mechanical Switches	Switch 1	Switch 2	Switch 3	Switch 4	Switch 5	Switch 6	\$	
2.5" Single Switch - Black							\$230.00	
2.5" Single Switch - Blue							\$230.00	
2.5" Single Switch - Green							\$230.00	
2.5" Single Switch - Red							\$230.00	
2.5" Single Switch - Yellow							\$230.00	
Egg Switch - Black							\$131.00	
Egg Switch - Blue							\$131.00	
Egg Switch - Green							\$131.00	
Egg Switch - Red							\$131.00	
Egg Switch - Yellow							\$131.00	
MicroLite <i>(Includes color labels)</i>							\$195.00	
Mini Button 1 - Blue <i>(Velcro)</i>							\$125.00	
Mini Button 1 - Green <i>(Velcro)</i>							\$125.00	
Mini Button 1 - Red <i>(Velcro)</i>							\$125.00	
1" Single Switch - Black							\$326.00	
1" Single Switch - Blue							\$326.00	
1" Single Switch - Green							\$326.00	
1" Single Switch - Orange							\$326.00	
1" Single Switch - Red							\$326.00	
1" Single Switch - Yellow							\$326.00	
Electronic Switches								
Flex Switch (Headrest mount only)							\$254.000	
ProSpot - Proportional Switches								
ProSpot Proportional Switch - Red							\$562.00	
ProSpot Proportional Switch - Green							\$562.00	
ProSpot Proportional Switch - Blue							\$562.00	
ProSpot Proportional Switch - Yellow							\$562.00	
ProSpot Proportional Switch - Orange							\$562.00	
Section B – Switch Mounting Position								
Link-It to the Backrest <i>(Up to 1 per side)</i>							\$770.00	
Link-It to the Headrest - Gooseneck & Rigid <i>(Up to 2 per side)</i>							\$770.00	
Link-It to the Fixed Joystick Mount <i>(Up to 2 per side)</i>							\$587.00	
Link-It to the Parallel Swing-Away Joystick Mount <i>(Up to 2 per side)</i>							\$587.00	
Link-It to the Seat Rail <i>(Up to 2 per side)</i> <i>(Not avail w/knee & thigh supports)</i>							\$467.00	
Omit Mount <i>(includes Velcro)</i>							NC	
Section C – Switch Mounting Location								
Right side of chair							NC	
Left side of chair							NC	
Joystick Integrated Switches (Pair)								
400J003	–	Proximity Switches on Flex Mount, Pair <i>(Used with VersaGuide/VersaGuide EZ)</i>						\$1,178.00

JAY® SYNCRA™ SEATING MEASURING GUIDE

JAY® SYNCRA™ BACK



Backrest Width	16"	18"	20"	22"
Max User Trunk Width	13.5"	15.5"	17.5"	19.5"

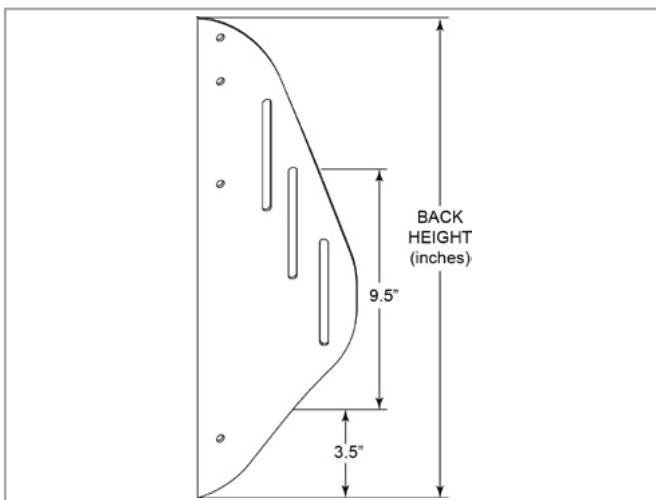
JAY® Swing-Away Lateral Thoracic Adjustment Range

Syncra Back Width	Width Range	Height range from bottom of shell to seat pan
16"	10" to 24"	12" to 19.5"
18"	12" to 26"	12.5" to 21.5"
20"	14" to 28"	12.5" to 22"
22"	16" to 30"	13.5" to 23"

Syncra™ Fixed Lateral Support Accessory Range

Syncra Back Width	Width Range	Height range from bottom of shell to seat pan	Contour Depth Range
16"	16.4" to 16.8"	6" to 8"	3" to 5"
18"	18.4" to 18.8"	6" to 8"	3" to 5"
20"	20.4" to 20.8"	6" to 8"	3" to 5"
22"	22.4" to 22.8"	6" to 8"	3" to 5"

Syncra™ Back Shell Height Diagram



JAY® SYNCRA™ CUSHION



JAY® Lateral Thigh Support Adjustment Range

Syncra Cushion Width	Width Range
16"	8.5" to 16.0"
17"	9.5" to 17.0"
18"	10.5" to 18.0"
19"	11.5" to 19.0"
20"	12.5" to 20.0"
22"	14.5" to 22.0"



Q300 M with SEDEO® PRO™

\$

Base Price

Total of additional equipment

Packaging and transport

Total Price

Signature

