



ORDER FORM

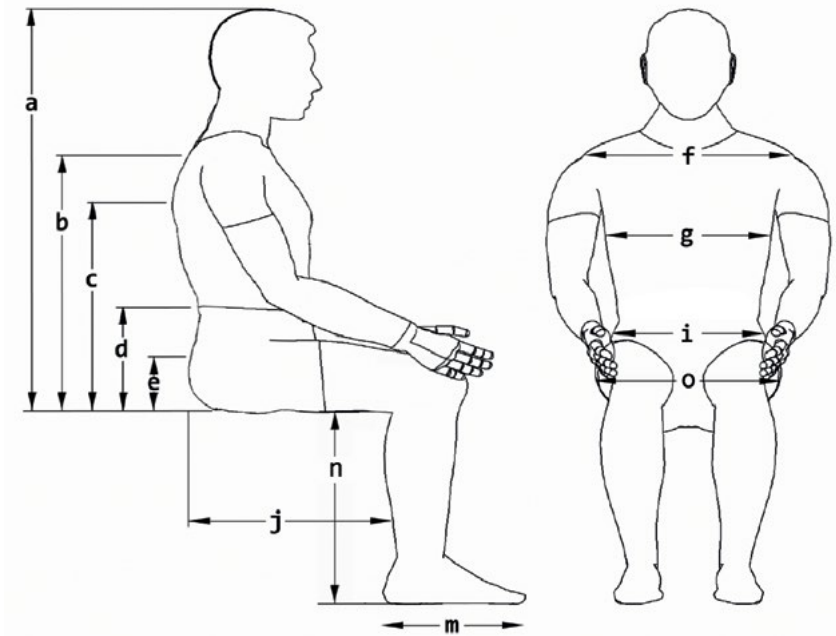
Q700M with SEDEO[®] PRO[™], PRO[™] ADVANCED
and JAY[®] Syncra[™] Seating

EIPW25

Customer	Ship To	
Account #	Name	
Date	Address	
PO#	City	
Buyer	Province	Postal Code
Mark For	Phone	

Client Measurements

a) Top of head to seat	in
b) Top of shoulder to seat	in
c) Underarm to seat	in
d) Elbow to seat	in
e) Top of leg to seat	in
f) Shoulder width	in
g) Chest width	in
i) Hip width	in
j) Actual sitting depth	in
m) Foot length	in
n) Knee to foot	in
o) Seat width	in



Notes

Chair Specifications

Typical Weight w/out Batteries	330 lbs.
Typical Weight with Batteries	410 lbs.
Power Seating	50° of CG Tilt and Power Recline with 4" mechanical sheer reduction / 12" seat elevator
Seat Type	SEDEO® PRO™ / JAY® Syncra™
Seat Size Range	Width 16" to 22" Depth 14" to 22"
Seat-to-Floor Height Range	16.5" to 19"

Mid-Wheel Drive Base Specifications

Drive Wheel Position	Mid-wheel drive
User Weight Capacity	300 lbs.
Base Size	Width 24.5", Length 36.5"
Minimum Turning Radius	19.8" (excludes footplates)
Drive Control	R-net PM 120A / R-net PM 90A
Driving Range	Up to 18 miles (w/ Group 24 Batteries)
Drive Motors	4-pole 6 mph, 8 mph
Drive Wheels	14" w/flat-free inserts (black)
Casters	6" front / 6" rear (black)
Charger	10A Dual Mode (Compact)
Battery Size	Group 24 / Group 34
Colour	9 shroud colours and 7 colour accents
Maximum Ground Clearance	3"

BASE			
OPTION		DESCRIPTION	RETAIL
Standard Duty Mid Wheel Drive Base <i>End Item Number EIPW25 (PRO™ Seat)</i>			\$
250PC197		Quickie Q700 M NPC No Power Option for SEDEO® PRO™ Seat Included in Base Pricing : Q700 M Base, R-net 90amp Electronics for No Power Seat Functions, ProGrip™ Six-Wheel Independent Suspension, 14" Drive Wheels with Dual Density Inserts, 6" Flat Free Casters, ISO Occupied Tie-Down Brackets and 10amp Charger. Max Speed = 6mph, Weight Capacity = 300lbs., STFH = 16.5".	\$8,993.00
250PC198		Quickie Q700 M SPC Single Power Option for SEDEO® PRO™ Seat Included in Base Pricing : Q700 M Base, R-net 90amp Electronics for No Power Seat Functions, ProGrip™ Six-Wheel Independent Suspension, 14" Drive Wheels with Dual Density Inserts, 6" Flat Free Casters, ISO Occupied Tie-Down Brackets and 10amp Charger. Max Speed = 6mph, Weight Capacity = 300lbs., STFH = 16.5".	\$8,993.00
250PC203		Quickie Q700 M MPC Tilt/Recline for SEDEO® PRO™ Seat Included in Base Pricing: Q700 M Base, R-net 90amp Electronics for No Power Seat Functions, ProGrip™ Six-Wheel Independent Suspension, 14" Drive Wheels with Dual Density Inserts, 6" Flat Free Casters, ISO Occupied Tie-Down Brackets and 10amp Charger. Max Speed = 6mph, Weight Capacity = 300lbs., STFH = 16.5".	\$8,993.00
Standard Duty Mid Wheel Drive Base <i>End Item Number EIPW25 (PRO™ Seat)</i>			\$
250PC201		Quickie Q700 M NPD No Power Option for SEDEO® PRO™ Seat Included in Base Pricing : Q700 M Base, R-net 120amp Electronics for No Power Seat Functions, ProGrip™ Six-Wheel Independent Suspension, 14" Drive Wheels with Dual Density Inserts, 6" Flat Free Casters, ISO Occupied Tie-Down Brackets and 10amp Charger. Max Speed = 8mph, Weight Capacity = 300lbs., STFH = 16.5".	\$10,781.00
250PC202		Quickie Q700 M SPD Single Power Option for SEDEO® PRO™ Seat Included in Base Pricing : Q700 M Base, R-net 120amp Electronics for No Power Seat Functions, ProGrip™ Six-Wheel Independent Suspension, 14" Drive Wheels with Dual Density Inserts, 6" Flat Free Casters, ISO Occupied Tie-Down Brackets and 10amp Charger. Max Speed = 8mph, Weight Capacity = 300lbs., STFH = 16.5".	\$10,781.00
250PC205		Quickie Q700 M MPD Tilt/Recline for SEDEO® PRO™ Seat Included in Base Pricing: Q700 M Base, R-net 120amp Electronics for No Power Seat Functions, ProGrip™ Six-Wheel Independent Suspension, 14" Drive Wheels with Dual Density Inserts, 6" Flat Free Casters, ISO Occupied Tie-Down Brackets and 10amp Charger. Max Speed = 8mph, Weight Capacity = 300lbs., STFH = 16.5".	\$10,781.00

BASE			
OPTION		DESCRIPTION	RETAIL
User Weight			\$
250WG23		Up to 300 lbs.	NC
Motor Package			\$
250PF99		4-pole 10 kph / 6 mph	NC
250PF100		4-pole 12.5 kph / 8 mph	NC
250PF101		4-pole 12.5 kph / 8 mph	\$1,268.00
Tracking			\$
250MI01		SureTrac® Module & Motor Encoders <i>(Improves drive tracking)</i>	\$1,696.00
Drive Wheels			\$
250DW58		Drive Wheel, 14", Dual Density, Knobby, Black	NC
Caster Wheels			\$
250CW55		Caster Wheels 6", Solid, Black	NC
Shroud Colour			\$
250C119		Matte Black	NC
250C165		Candy Apple Red	NC
250C166		Candy Blue	NC
250C167		Candy Purple	NC
250C176		Green Apple	NC
250C178		Pearl Pink	NC
250C182		Silver	NC
250C125		Pearl White	NC
Colour Accents			\$
<i>Note: Colour Accents and Shroud Colours may not match.</i>			
250EZ20		Green	NC
250EZ22		Black	NC
250EZ21		Blue	NC
250EZ23		Orange	NC
250EZ24		Red	NC
250EZ25		Silver	NC
250EZ19		White	NC

BASE							
OPTION		DESCRIPTION	RETAIL				
Service Decals			\$				
250D10		Army	NC				
250D11		Air Force	NC				
250D13		Marines	NC				
250D14		Navy	NC				
250D15		Purple Heart	NC				
ISO Transit Tie Downs			\$				
250T050		ISO Transit Package	NC				
LED Lights			\$				
250LI04		LED Lights and Indicators	\$1,225.00				
250LI11		LED Lights and Indicators <i>(Available with 4 Power Seat Functions)</i>	NC				
250LI08		LED Fender Lights	\$646.00				
250LI09		LED Fender Lights <i>(Available with Multi-Power Only)</i>	NC				
250LI02		Omit LED Lights	NC				
Seat Heights			\$				
<p><i>Note: Available seat-to-floor heights are dependent on 2 options: 1- Battery Size and 2- Powered Seating. Use the matrix below to determine available ranges for your desired options. Measured from front of seat pan to floor with 0° frame angle.</i></p>							
		Seat Height	Power Seating	No Power Seating	PRO ADVANCED Recline		
					w/o Elevate	w/ Elevate	
250HT103		16.5"	Group 34	Group 34	N/A	N/A	NC
250HT55		17"	Group 34	GP24 or GP34	GP34	GP34	NC
250HT104		17.5"	Group 34	GP24 or GP34	GP34	GP34	NC
250HT56		18"	GP24 or GP34	GP24 or GP34	GP24 / GP34	GP34	NC
250HT105		18.5"	GP24 or GP34	GP24 or GP34	GP24 / GP34	GP24 / GP34	NC
250HT57		19"	GP24 or GP34	GP24 or GP34	GP24 / GP34	GP24 / GP34	NC
Batteries and Chargers			\$				
Group 24 Battery Options (Recommended for max daily range)							
250AG25		GP24 Flat Top Pair w/Strap MK Gel	\$955.00				
250AG26		GP24 Flat Top Pair w/Strap AGM	\$915.00				
Group 34 Battery Options (Required for lower seat-to-floor heights)							
250AG27		GP34 Flat Top Pair w/Straps MK Gel	\$955.00				
250AG29		GP34 Flat Top Pair w/Straps AGM	\$863.00				
Omit Batteries							
250AG24		Battery Harnesses Only <i>(Omit Batteries)</i>	NC				
Chargers							
250BJ28		10A Dual Mode (Compact)	NC				

POWERED SEATING

OPTION	DESCRIPTION	RETAIL
Power Seating Options		\$
Seat Elevator		
250PI08	C-Me® Seat Elevator, Powered, 300 mm / 12" (<i>C-Me speed up to 3 mph</i>)	\$3,477.00
250PI07	Seat Elevator, Powered, 12" (<i>Required for Anterior Tilt</i>)	\$3,477.00
Seat Tilt		
250PA35	Posterior 50° Tilt	\$8,663.00
Seat Recline		
250PA37	150° Powered Recline w/ 4" Shear Reduction	\$8,001.00
Seat Tilt/Recline		
250PA41	Posterior 50° Tilt and 150° Recline Powered, w/ 4" Shear Reduction	\$13,275.00
250PA62	Posterior 50° Tilt and PRO ADVANCED 165° Recline Powered, w/ 7" Shear Reduction	\$13,785.00
Seat Anterior Tilt		
250TG02	Anterior Tilt 0° to 30°	\$3,329.00
Power Recline Backrest Preset Home Angle		
250QK1	90°	NC
250QK2	95° (Default Position)	NC
Pre Set Seat Frame Angle (<i>No Power Seating Options, Increases Seat to Floor Height</i>)		\$
250FA10	0° (<i>Adds 0" to STFH</i>)	NC
250FA3	3° (<i>Adds 1" to STFH</i>)	NC
Backrest Frame Type (<i>N/A with Powered Recline</i>)		\$
250BF10	Tool Angle Adjustable Back, 90°-120°	NC
250BF11	User Adjustable Manual Semi-Recline Back, 90°-130°, Right (<i>Adjustment lever mounted on opposite side of joystick</i>)	\$824.00
250BF12	User Adjustable Manual Semi-Recline Back, 90°-130°, Left (<i>Adjustment lever mounted on opposite side of joystick</i>)	\$824.00
Backrest Frame Option (<i>N/A with PRO ADVANCED</i>)		\$
250BF13	Flip Down, Quick Release	\$179.00
Back Cushion Type		\$
250BT134	SEDEO® Back Cushion (<i>Choose Seating in Section A</i>) (<i>N/A with PRO ADVANCED</i>)	NC
250BT138	JAY® Syncra™ (<i>Choose Seating in Section B</i>)	NC
250BT135	JAY® J3® (<i>Choose Seating in Section C</i>)	NC
250BT137	SEDEO® Aftermarket Back Adapter (<i>Height adjustable round tubes for traditional mounting</i>)	\$633.00
250BT133	OMIT (<i>For personalized mounting. No headrest mount</i>)	NC

POWERED SEATING

OPTION	DESCRIPTION	RETAIL
--------	-------------	--------

A - SEDEO® Backrest Dimensions (N/A with PRO ADVANCED)

\$

Back Width

250BN28	400mm / 16"	NC
250BN29	460mm / 18"	NC
250BN30	500mm / 20"	NC
250BN31	560mm / 22"	NC

Back Shell Height

			Tool Angle Adjust.	150° Recline	Installed Back Height	
250B255	460mm / 18"		22°-23°	23°-25°		NC
250B256	560mm / 22"		24°-27°	26°-29°		NC
250B257	660mm / 26"		28°-30°	30°		NC

Installed Back Height - (From Pan to Top of Back)

250JR32	22"	NC
250JR33	23"	NC
250JR34	24"	NC
250JR35	25"	NC
250JR36	26"	NC
250JR37	27"	NC
250JR38	28"	NC
250JR39	29"	NC
250JR40	30"	NC

POWERED SEATING

OPTION	DESCRIPTION	RETAIL
--------	-------------	--------

B - JAY® Syncra™ Seating**B - JAY® Syncra™ Back**  P. 23 \$

250JP14	JAY® Syncra™ Back 16-20" Wide with 3" Contour Depth	\$1,339.00
250JP15	JAY® Syncra™ Back 22" Wide with 3" Contour Depth	\$1,339.00

B - JAY® Syncra™ Back Width \$

Back can be ordered a different width than seat pan. Armrest will be adjusted to back width ordered.

250JQ07	16" Wide (Adjustment range 16 to 17" Wide)*	NC
250JQ08	18" Wide (Adjustment range 18 to 19" Wide)*	NC
250JQ09	20" Wide (Adjustment range 20 to 21" Wide)*	NC
250JQ10	22" Wide (Adjustment range 22 to 23" Wide)	NC

**Additional +1" of shell width adjustment is achievable. Requires purchase of 1" larger foam and upholstery separately.*

B - JAY® Syncra™ Back Shell Options and Height Ranges \$

JAY® Syncra™ Back shells are mounted with a minimim 5.5" gap between the bottom of the shell to the seat pan to accommodate the mechanical shear. Back height can be adjusted in the field within the ranges shown based on the back frame type.

JAY® Syncra™ Shell Height

250JR42	16" Tall Shell (22" to 24" Back Height)	NC
250JR43	18" Tall Shell (24" to 26" Back Height)	NC
250JR44	20" Tall Shell (26" to 28" Back Height)	NC
250JR45	22" Tall Shell (28" to 30" Back Height)	NC

JAY® Syncra™ Back Installed Back Height (From Pan to Top of Back)

250JR50	22" (16" Shell Height)	NC
250JR51	23" (16" Shell Height)	NC
250JR52	24" (16" Shell Height)	NC
250JR53	24" (18" Shell Height)	NC
250JR54	25" (18" Shell Height)	NC
250JR55	26" (18" Shell Height)	NC
250JR56	26" (20" Shell Height)	NC
250JR57	27" (20" Shell Height)	NC
250JR58	28" (20" Shell Height)	NC
250JR67	28" (22" Shell Height)	NC
250JR68	29" (22" Shell Height)	NC
250JR69	30" (22" Shell Height)	NC

B - JAY® Syncra™ Back Upholstery \$

250BU96	Syncra™ Premium Leatherette	NC
250BU97	Syncra™ Stretch	NC

POWERED SEATING

OPTION	DESCRIPTION	RETAIL
--------	-------------	--------

C - JAY® J3® Back**C - JAY® J3® Back - Contour**

\$

250JP01	J3® PA Back for 16"-20" Wide	\$912.00
250JP02	J3® PA Back for 22" Wide	\$1,941.00
250JP11	J3® PL Back for 16"-20" Wide	\$986.00
250JP13	J3® PD Back for 16"-20" Wide (18" and 21" shell height only)	\$1,068.00

C - JAY® J3® Back Width

\$

Back can be ordered a different width than seat pan. Armrest will be adjusted to back width ordered.

250JQ02	16"	NC
250JQ03	18"	NC
250JQ04	20"	NC
250JQ05	22"	NC

C - JAY® J3® Back Shell Options and Height Ranges

\$

JAY® J3® shells are mounted with a minimim 4" gap between the bottom of the shell to the seat pan to accommodate the mechanical shear. Back height can be adjusted in the field within the ranges shown, based on the back frame type and the amount of usable hardware adjustability.

JAY® J3® Shell Height

		Tool Angle Adjust.	150° Recline	PRO ADVANCED		
250JR41	15" tall shell (Upper Thoracic Med) for 22" Wide	22"-23"	22"-23"	21"-24"	Installed Back Height	NC
250JR14	16.5" tall shell (Upper Thoracic Short)	21"-23"	22"-24"	21"-24"		NC
250JR15	18" tall shell (Upper Thoracic Med)	22"-24"	23"-25"	22"-26"		NC
250JR16	19.5" tall shell (Upper Thoracic Tall)	24"-26"	24"-26"	23"-27"		NC
250JR18	18" tall shell (Shoulder Height) for 22" wide	24"	24"	21"-25"		NC
250JR17	21" tall shell (Shoulder Height)	24"-26"	25"-28"	25"-28"		NC
250JR27	22.5" tall shell (Shoulder Height)	26"-28"	27"-30"	26"-29"		NC
250JR28	24" tall shell (Shoulder Height)	27"-29"	28"-30"	28"-30"		NC

JAY® J3® Installed Back Height (From Pan to Top of Back)

250JR29	21"	NC
250JR19	22"	NC
250JR20	23"	NC
250JR21	24"	NC
250JR22	25"	NC
250JR23	26"	NC
250JR24	27"	NC
250JR25	28"	NC
250JR30	29"	NC
250JR31	30"	NC


POWERED SEATING

OPTION	DESCRIPTION	RETAIL
C - JAY® Anterior Thoracic Support \$		
<i>Classic-Structure Pull Down Harness (4 point strap, only available with JAY® backrest)</i>		
250K10	Medium (ATS8302)	\$322.00
250K11	Large (ATS8303)	\$322.00
JAY® Lateral Thoracic Swing-Away Supports (Requires Pad, Upholstery and Mount) \$		
JAY® Lateral Thoracic Support Pads		
250JW35	Lateral Thoracic (L x H) 100 mm x 127 mm / 4" x 5" Pad - Right	\$75.00
250JW38	Lateral Thoracic (L x H) 100 mm x 127 mm / 4" x 5" Pad - Left	\$75.00
250JW36	Lateral Thoracic (L x H) 100 mm x 152 mm / 4" x 6" Pad - Right	\$75.00
250JW39	Lateral Thoracic (L x H) 100 mm x 52 mm / 4" x 6" Pad - Left	\$75.00
250JW37	Lateral Thoracic (L x H) 152 mm x 100 mm / 6" x 4" Pad - Right	\$75.00
250JW40	Lateral Thoracic (L x H) 152 mm x 100 mm / 6" x 4" Pad - Left	\$75.00
JAY® Lateral Thoracic Support Pad Upholstery		
250NU01	Syncra™ Premium Leatherette	NC
250NU02	Syncra™ Stretch	NC
JAY® Lateral Thoracic Swing-Away Mount		
250JW41	Lateral Thoracic Swing Away Bracket - Right	\$334.00
250JW42	Lateral Thoracic Swing Away Bracket - Left	\$334.00
JAY® Syncra™ Fixed Lateral Support Accessory \$		
JAY® Fixed Lateral Support Accessory Hardware (JAY® Fixed Lateral Support is height adjustable)		
250JW33	Fixed Lateral Support Accessory (L x H) 90 mm x 140 mm / 3.5" x 8" - Right	\$147.00
250JW34	Fixed Lateral Support Accessory (L x H) 90 mm x 140 mm / 3.5" x 8" - Left	\$147.00
Headrests (Requires Pad, Upholstery, & Mount) \$		
Headrest Pad		
250HE36	SEDEO® Pad Small With Cover (LxH) 240 x 150 mm / 10" x 6" <i>Can only be used with Multi Position Headrest Mount with Quick Release and SEDEO® Upholstery</i>	\$227.00
250HE38	Whitmyer® Plush Headrest Pad 203 mm / 8"	\$377.00
250HE39	Whitmyer® Plush Headrest Pad 254 mm / 10"	\$377.00
250HE44	Whitmyer® Plush Headrest Pad 356 mm / 14"	\$377.00
250HE46	Whitmyer® Adjust-A-Plush Headrest Pad Medium (Adjustable from 7 to 16" Wide x 4" Tall)	\$438.00
250HE48	OMIT Headrest Pad	NC
Headrest Pad Upholstery		
250NU10	SEDEO® Upholstery	NC
250NU04	Syncra™ Premium Leatherette	NC
250NU05	Syncra™ Stretch	NC
250NU11	Whitmyer® Lycra	NC

POWERED SEATING

OPTION	DESCRIPTION	RETAIL
Headrest Mount		
250MH32	SEDEO® Multi-Position Headrest Mount with Quick Release <i>(Only available with SEDEO® Pad)</i>	\$557.00
250MH33	Whitmyer® Linx Headrest Mount with Quick Release	\$243.00
250MH34	Whitmyer® Linx-2 Headrest Mount with Quick Release	\$298.00
250MH35	Whitmyer® AXYS Headrest Mount with Quick Release	\$247.00
250MH17	OMIT Headrest Mount	NC
Push Handles \$		
250PH27	Height Adjustable Push Handles	\$61.00
Seat Frame Rails \$		
250SN14	Seat Rail Short <i>(For effective seat depth 14" to 18")</i>	\$806.00
250SN15	Seat Rail Long <i>(For effective seat depth 17" to 22")</i>	\$806.00
Seat Cushion Type \$		
250ST81	JAY® Syncra™ Cushion (See Section D)	NC
250ST80	JAY® (See Section E)	NC
250ST75	Omit	NC
C - Seat Size \$		
Seat Pan Width		
250R53	16"	NC
250R54	17"	NC
250R55	18"	NC
250R56	19"	NC
250R57	20"	NC
250R58	21" <i>(Not available with JAY® Syncra™ Cushions)</i>	NC
250R59	22"	NC
Seat Pan Depth (Front of seat pan to front of back cushion – effective depth)		
250RF52	14" <i>(N/A with PRO ADVANCED)</i>	NC
250RF53	15" <i>(N/A with PRO ADVANCED)</i>	NC
250RF51	16" <i>(N/A with PRO ADVANCED)</i>	NC
250RF45	17"	NC
250RF46	18"	NC
250RF47	19"	NC
250RF48	20"	NC
250RF49	21" <i>(Not available with JAY® Syncra™ Cushions)</i>	NC
250RF50	22"	NC

POWERED SEATING

OPTION	DESCRIPTION	RETAIL
D - JAY® Syncra™ Cushion  P. 23 (JAY Your Way modifications available through Customer Service (800-263-3390))		
250CU89	JAY® Syncra™ Cushion featuring JAY Flow® Fluid with Cryo™ Technology (16" to 20" wide)	\$1,017.00
250CU90	JAY® Syncra™ Cushion featuring JAY Flow® Fluid with Cryo™ Technology (22" wide)	\$1,125.00

JAY® Syncra™ Cushion Cover Upholstery

250YR73	Syncra™ Premium Leatherette	NC
250YR74	Syncra™ Stretch	NC

E - JAY® Seat Cushion

250CU59	JAY® Ion® (Sizes 16" - 21" Wide)	\$657.00
250CU60	JAY® Ion® (Size 22" Wide)	\$698.00
250CU61	JAY® Union® (Sizes 16" - 21" Wide)	\$764.00
250CU62	JAY® Union® (Size 22" Wide)	\$806.00
250CU64	JAY® Fusion® (Sizes 16" - 21" Wide)	\$1,045.00
250CU65	JAY® Fusion® (Size 22" Wide)	\$1,188.00

POSITIONING SUPPORTS & ACCESSORIES

OPTION	DESCRIPTION	RETAIL
Knee and Thigh Swing-Away Support Pads		\$
Lateral Knee Support Pads and Hardware (must pick pad and mount)		
250XY05	Lateral Knee Support Pad, Right (4" round)	\$247.00
250XY06	Lateral Knee Support Pad, Left (4" round)	\$247.00
250XX08	Lateral Swing-Away Bracket Knee - Right	\$325.00
250XX09	Lateral Swing-Away Bracket Knee - Left	\$325.00
Lateral Thigh Support Pads and Hardware (must pick pad and mount)		
250KF22	Lateral Thigh Support Pad Short - Right (5"x5")	\$146.00
250KF23	Lateral Thigh Support Pad Short - Left (5"x5")	\$146.00
250KF24	Lateral Thigh Support Pad Long - Right (5"x7")	\$146.00
250KF25	Lateral Thigh Support Pad Long - Left (5"x7")	\$146.00
250KF26	Lateral Thigh Removable Mount - Right	\$325.00
250KF27	Lateral Thigh Removable Mount - Left	\$325.00
JAY® Lateral Thigh Supports (Must pick pad, upholstery, and mount)		\$
JAY® Lateral Thigh Support Pads		
250KF16	Lateral Thigh Support Pad Standard, Right (8.25" x 3.25")	\$146.00
250KF17	Lateral Thigh Support Pad Standard, Left (8.25" x 3.25")	\$146.00
250KF18	Lateral Thigh Support Pad Large, Right (12" x 3.25")	\$146.00
250KF19	Lateral Thigh Support Pad Large, Left (12" x 3.25")	\$146.00
JAY® Lateral Thigh Support Pad Upholstery		
250NU07	Syncra™ Premium Leatherette	NC
250NU08	Syncra™ Stretch	NC
JAY® Lateral Thigh Removable Mount		
250KF20	Lateral Thigh Removable Mount - Right	\$325.00
250KF21	Lateral Thigh Removable Mount - Left	\$325.00
Armrest Structure		\$
250EG35	Reclining, Flip Back, Long (Height adjustable 9" to 15")	NC
250EG41	Reclining, Flip Back, Short (Best used with shorter seat depths) (Height adjustable 9" to 15")	NC
250EG36	Reclining, Flip Back with 2-point post locking arm (Height adjustable 11" to 15" x .625")	\$351.00
250EG51	Reclining, Flip Back, Dual Link Armrest (No Charge for Multi-Power) (Required for PRO ADVANCED) (Height adjustable 8" to 15" including length and lateral adjustment)	NC
250EG52	Reclining, Flip Back, Dual Link Armrest (Height adjustable 8" to 15" including length and lateral adjustment)	\$457.00
250EG32	Single Post, Flip Back (N/A with thigh support), (Height adjustable 10" to 15")	NC

POSITIONING SUPPORTS & ACCESSORIES

OPTION	DESCRIPTION	RETAIL
--------	-------------	--------

Arm Pads

\$

SEDEO® Armrest Pad

250AB43	300 mm / 12", Integral Foam, Right	NC
250AE43	300 mm / 12", Integral Foam, Left	NC
250AB44	400 mm / 16", Integral Foam, Right	NC
250AE44	400 mm / 16", Integral Foam, Left	NC

Comfort Arm Pad (Foam)

250AB46	2" Wide Right	\$113.00
250AE46	2" Wide Left	\$113.00

Comfort Arm Pad (Gel)

250AB48	2" Wide Right	\$213.00
250AE48	2" Wide Left	\$213.00

Ottobock® Arm Troughs

250AE06	Ottobock® Arm Trough, Med (12"), Left	\$139.00
250AB06	Ottobock® Arm Trough, Med (12"), Right	\$139.00
250AE07	Ottobock® Arm Trough, Large (14") Left,	\$139.00
250AB07	Ottobock® Arm Trough, Large (14"), Right	\$139.00
2500L01	Ottobock® Hand Pad, Med (7"), Left	\$70.00
2500R01	Ottobock® Hand Pad, Med (7"), Right	\$70.00
2500L02	Ottobock® Hand Pad, Large (9"), Left	\$70.00
2500R02	Ottobock® Hand Pad, Large (9"), Right	\$70.00
250AE78	Ottobock® One Piece Arm Trough, (18"), Left	\$198.00
250AB78	Ottobock® One Piece Arm Trough, (18"), Right	\$198.00

Elbow Support

\$

2503A02	Elbow Support Pad, RH 3" x 10" <i>(Includes side support)</i>	\$228.00
2503A03	Elbow Support Pad, LH 3" x 10" <i>(Includes side support)</i>	\$228.00
2503A06	Elbow Support Pad, RH 3" x 3"	\$167.00
2503A07	Elbow Support Pad, LH 3" x 3"	\$167.00
2503A04	Swing-Away Elbow Support Hardware, RH	\$279.00
2503A05	Swing-Away Elbow Support Hardware, LH	\$279.00

Side Guards (Pair)

\$

250SG44	Side Guards Integral Foam (11"L x 5.5"H) <i>(N/A with Reclining Armrests)</i>	\$356.00
---------	---	----------

Fixed Centermount Legrest

\$

250H183	SEDEO® Fixed Centermount Legrest <i>(3" to 17.5" Leg Length)</i>	\$351.00
250H184	Fixed Centermount Legrest, Short <i>(Includes Calf Pads & Single Footplate) (11.5" to 14.5" Leg Length)</i>	NC
250H185	Fixed Centermount Legrest, Long <i>(Includes Calf Pads & Single Footplate) (13.5" to 18.5" Leg Length)</i>	NC

POSITIONING SUPPORTS & ACCESSORIES

OPTION	DESCRIPTION	RETAIL
Power Centermount Legrest		\$
250H175	Power Centermount Legrest, 90° - 0° Angle, 7.5" Extension (<i>Mechanical Articulation</i>) (5" to 17.5" Leg Length)	\$2,487.00
250H109	Power Centermount Legrest, 90° - 0° Angle, 7.5" Extension (<i>Powered Articulation</i>) (3" to 17.5" Leg Length) (<i>Required for PRO ADVANCED</i>)	\$3,435.00
Power Centermount Legrest Accessories		\$
Footplates		
250F127	Dual, Height, Width and Angle Adjustable, Standard (14"W x 10"D)	\$284.00
250F128	Dual, Height, Width and Angle Adjustable, Large (16"W x 12"D)	\$284.00
Footplate Accessories (Available with Power Centermounts)		
250DI68	Extra Large Centermount Footplate (<i>Single Footplate Overlay 16"W x 12"D</i>)	\$315.00
250DI69	Footplate Connector Link (<i>Attaches footplates together</i>)	\$96.00
250DI57	Gel Footpads (<i>Pair, LH and RH</i>)	\$401.00
Calf Pad Options		
250DI34	Calf Pads, Pair, Standard	NC
250DI35	Calf Pads, Pair, Padded	\$356.00
Knee Block (Required for Anterior Tilt)		
250DI37	Knee Blocks: Dual, Height, Width and Angle Adjustable	\$704.00
250DI55	Knee Block Quick Release Removable Hardware	\$179.00
SEDEO® PRO™ Swing-Away Legrest (Pair)		\$
250H177	Legrests, Swing-Away, 70°, SEDEO® PRO™ (14" to 21" Leg Length)	NC
250H178	Legrests, Manual Elevating, Swing-Away, SEDEO® PRO™ (<i>Includes Padded Calf Pads</i>) (14".5 to 21.5" Leg Length)	\$605.00
250H179	Legrests, Power Elevating, Swing-Away, SEDEO® PRO™ (<i>Includes Padded Calf Pads</i>) (15.5" to 22.5" Leg Length)	\$3,435.00
250DI76	Omit Legrests	NC
Swing-Away Legrest Footplates		
250F369	Angle Adjustable Flip-Up Footplates	\$284.00
Swing-Away Legrest Calf Supports		
250DI42	Calf Support, Depth Adjustable, Padded (<i>6.5" to 8" Wide, Depending On Chair Width, x 9.5" Tall</i>)	\$512.00
Swing-Away Legrest Options		
250DI44	Heel Loops	NC
250KG4	Knee Pads, Integral Foam (<i>2.5" Wide x 4.5" Tall</i>)	\$282.00
SEDEO® Lower Extremity Swing-Away Support		
250VD01	Lower Extremity Support, Padded, Swing-Away, SEDEO®, Right	\$512.00
250VD02	Lower Extremity Support, Padded, Swing-Away, SEDEO®, Left	\$512.00

POSITIONING SUPPORTS & ACCESSORIES

OPTION	DESCRIPTION	RETAIL
Pelvic Positioning Belts		
250A837	Positioning Belt, Auto Style Buckle, 50 mm 1600 mm / 2"	NC
250A839	Positioning Belt, Aircraft Buckle, 50 mm x 1300 mm / 2"	NC
250A840	Positioning Belt, Aircraft Buckle, Padded 50 mm x 1300 mm / 2"	\$103.00
250A845	Bodypoint - Evoflex Pelvic Stabilizer Belt	\$216.00
250A846	Bodypoint - Evoflex Pelvic Stabilizer Belt with Extension	\$271.00
Chest Straps		
250ZR06	Chest Strap, 2-Point, Padded <i>(Required)</i>	NC
250ZR07	Additional Chest Strap, 2-Point, Padded	\$351.00
Chest Bars		
250ZR08	Chest Bar, Detachable, Round Pad	\$704.00
250ZR09	Chest Bar, Detachable, Flat Pad, 200 mm x 100 mm	\$748.00
Accessories \$		
Ventilator Option		
250VT12	Vent Tray Fixed <i>(Pulmonetic LTV Models)</i>	\$609.00
O2 Tank Option		
250A718	O2 Tank Holder Mounted to Backrest <i>(D and E Styles)</i>	\$391.00
Wheelchair Tray Table		
2507A09	Tray, Swing-Away	\$381.00
Backpack		
250A1	Black Utility	\$112.00
Medial Thigh Support (N/A with Centermount Legrests)		
2508A80	Medial Thigh Support	\$271.00
2508A81	Pommel Swing-Away Hardware	\$390.00
Misc. Accessories		
2508A59	Transfer Bar <i>(Pair)</i>	\$493.00
2508A52	Ram Mount Phone	\$77.00
2508A53	Ram Mount Tablet	\$308.00
2508A54	Ram Mount Cup Holder	\$77.00
2508A58	Rear View Mirror	\$77.00
250A611	Crutch Holder <i>(N/A w/Power Recline)</i>	\$174.00
2508A73	Bag for Armrest	\$77.00
2508A75	Reflectors <i>(Backrest shroud mounted)</i>	\$115.00
2509A10	Utility Hooks	\$30.00

JOYSTICK / ELECTRONICS			
OPTION		DESCRIPTION	RETAIL
R-net Joystick (<i>Remote</i>)			\$
250J121		Standard LED Joystick (<i>w/o Screen Display</i>)	NC
250J116		Colour Joystick (<i>2.3" Colour LCD Screen Display, CJSM1</i>)	NC
250J118		High Resolution Colour Joystick,(CJSM2+BT) <i>3.5" Colour LCD Display, Paddle Switches, Programmable Shortcut Keys, ICONs, Stereo Jack, IR and dual (IOS/Android) Bluetooth control</i>	\$1,162.00
250J119		Omit Remote Control (<i>Required with arm mounted specialty controls</i>)	NC
Joystick Mounting			\$
250JM34		Fixed on Armrest	NC
250JM35		Parallel Swing-Away	\$447.00
250JM36		Link-It Mid Line Mount on Armrest (<i>Swing-Away</i>)	\$447.00
250JM49		Attendant (<i>Available with LED or CJSM1 only. Mounted to Push Handle</i>)	NC
Joystick Mount (Location)			\$
250HM16		Right Hand	NC
250HM17		Left Hand	NC
Display Language Selection R-net			\$
250L1		English	NC
250L3		French	NC
250L7		Spanish	NC
Joystick Handle (Optional)			\$
250JH13		Ball Handle	\$110.00
250JH15		T-Handle	\$110.00
250JH24		Bodypoint – Rubber Dome Joystick Handle	\$216.00
250JH25		Bodypoint – U-Shaped Joystick Handle (<i>4 inch</i>)	\$216.00
250JH26		Bodypoint – Grooved Mushroom Joystick	\$216.00
Electronic Programmers			\$
250PR13		R-net PC Wireless Programmer	\$613.00
R-net Power Modules			\$
250ER11		Power Module, R-net, 120A, Non-Expandable	NC
250ER10		Power Module, R-net, 120A, Expandable <i>Required for specialty controls or 3+ actuators</i>	\$102.00
250EX09		Expandable 120A Controller - R-net	NC
250EX10		Harness for 120A Expandable Controller	NC
250ER18		Power Module, R-net, 90A, Non-Expandable (<i>Available with No Power and Single Power</i>)	NC
250ER17		Power Module, R-net, 90A, Expandable <i>Required for specialty controls or 3+ actuators</i>	\$102.00
250EX15		Expandable 90A Controller - R-net	NC
250EX16		Harness for 90A Expandable Controller	NC

JOYSTICK / ELECTRONICS

OPTION	DESCRIPTION	RETAIL
Seating Control		\$
Powered Seating Control		
250E040	Omit Thru-Drive <i>(Requires Switch Control)</i>	NC
250E037	Thru-Drive Control for 1 Actuator	\$1,443.00
250E038	Thru-Drive Control for 2+ Actuators	\$2,903.00
250E032	CxSM, Thru-Drive Control for 2+ Actuators <i>(Required for PRO ADVANCED)</i>	\$2,903.00
Switch Control <i>(Available with Omit Thru-Drive only) (1 actuator for Tilt or Elevate only)</i>		
250E033	Dual Toggle for 1 Actuator	NC
250E034	2.5" Single Button Switch for 1 Actuator <i>(Button switches are not mounted)</i>	NC
250E041	Ctrl+5 Switch Box for 2 Actuators or More	NC
Additional Power Seating Control <i>(Available with Thru-Drive only)</i>		
250QG11	Ctrl+5 Switch Box with Free Assignable Functions	\$1,078.00
250QG12	Ctrl+5 Switch Box with Free Assignable Functions <i>(Multi-power only)</i>	NC
Dual Toggle Mounting Location		
250TN1	Toggle Mount, Right	NC
250TN2	Toggle Mount, Left	NC
Ctrl+5 Mounting Location <i>(Will swing away if mounted in the same location as the joystick)</i>		
250EY19	Right Armrest	NC
250EY20	Left Armrest	NC
250EY21	Back Cane, Right	NC
250EY24	Back Cane, Left	NC
Ctrl+5 Switch Type		
250EY22	Push Buttons	NC
250EY23	Toggle Switches	\$356.00
Attendant Controls		\$
2500A05	Dual Control Module for Attendant	\$1,225.00
2500A06	R-net Colour LCD (CJSM1), Attendant Control Only	\$1,225.00
Attendant Mounting Location		\$
250DN5	Right Back Cane	NC
250DN6	Left Back Cane	NC

JOYSTICK / ELECTRONICS

OPTION	DESCRIPTION	RETAIL
--------	-------------	--------

R-net Programming

\$

Assignable Buttons

Assignable Button feature allows for personalization of joystick buttons and/or Ctrl+5 Switches allowing access to various wheelchair and seating functions. When enabled, chair will be pre-programmed with seating functions assigned to buttons on the joystick. Assignments can be changed via PC Dongle.

250PM12	Include Assignable Buttons	NC
---------	----------------------------	----

Power Centermount Footplate Extension Option

250IE03	Include 7.5" Powered Footplate Extension for Transfer Assist (Electronics programmed to allow footplates to be extended with or without legrest being raised.) Only available with Powered Articulation.	\$592.00
---------	--	----------

R-net Omni2 Options For Expandable Controls, choose all that apply.

\$

2500N14	R-net Omni2 Only Input Control Module and 3.5" LCD Display w/ Built-In Infrared & Bluetooth Choose Mount Below	\$2,384.00
2500N15	R-net Omni2 Bundled Input Control Module and 3.5" LCD Display w/ Built-In Infrared & Bluetooth Bundled Omni2 Available w/ Switch-It Input Devices	NC

Omni2 Mount If used w/ Standard Joystick, it must be mounted opposite side.

\$

250DS14	Link-It with Parallel Swing-Away Omni2 Mount w/ Rear Mounted Interface, Right	\$698.00
250DS15	Link-It with Parallel Swing-Away Omni2 Mount w/ Rear Mounted Interface, Left	\$698.00

PRO ADVANCED Programming

\$

Biometric Repositioning

250PM03	Include Biometric Repositioning (Requires Memory Position #1, #2, #3 below)	NC
---------	---	----

Memory Seating

"Memory Seating" feature allows for up to six custom seating positions that are accessed either through the joystick, Ctrl+5, joystick shortcut keys or programmable jacks on Omni2 and joystick. Choose desired preset settings below. Default positions are dealer adjustable.

250PM06	Include #1 Memory Seating (Seated) (Required)	NC
250PM07	Include #2 Memory Seating (Supine)	NC
250PM08	Include #3 Memory Seating (Pressure Relief)	NC
250PM09	Include #4 Memory Seating (Feet Above Heart)	NC
250PM10	Include #5 Memory Seating (Transfer)	NC
250PM11	Include #6 Memory Seating (C-Me)	NC

PRAR Pressure Relief Alert and Reminders

PRAR Pressure Relief Alert and Record feature provides programmable alerts to be set into the R-net electronics that will prompt the user when it is time to perform a pressure relief. The R-net system will record how often the pressure relief is completed or ignored.

250PM14	Include PRAR (Minimum requirement Memory Position #1 and #3)	NC
---------	--	----

SPECIALTY INPUT DEVICES

OPTION	DESCRIPTION	RETAIL
Hand Control Packages <i>Requires Standard Joystick Omit / Only one hand control device can be ordered.</i> \$		
Proportional Input Devices		
250EU14	Switch-It MicroGuide	\$3,844.00
250EU17	Switch-It VersaGuide	\$2,557.00
250EU18	Switch-It VersaGuide EZ	\$3,023.00
Mounting Position (Required)		
250EM04	Link-It to the Backrest <i>(Not Available w/ Omit Back Cushion Type)</i>	\$1,338.00
250EM05	Link-It to the Fixed Joystick Mount	\$416.00
250EM06	Link-It to the Parallel Swing-Away Joystick Mount	\$416.00
250EM07	Link-It to the Midline Swing-Away	\$1,480.00
250EM08	Omit Mount	NC
Mounting Platforms (Optional) <i>Not available w/ Link-It to Backrest</i>		
250MG16	SunDisk Hand Tray <i>(Only available w/ MicroSeries Joysticks)</i>	\$146.00
250MG15	Bullet Hand Tray	\$416.00
Mounting Location (Required)		
250IM09	Right	NC
250IM10	Left	NC
Switch Options		
–	See Switch Selections <i>(Maximum 2)</i>	–

Head Control Packages *(Select headrest mount)* \$*Only one head control device can be ordered.***Proportional Input Devices**

250EU25	Switch-It DualPro® Proportional Head Array - Facial Pads	\$7,057.00
250EU26	Switch-It DualPro® Proportional Head Array - Spot Pads	\$7,057.00
250EU51	Switch-It Vigo Head Drive	\$6,293.00

Switched Input Devices

250EU28	Switch-It 3-Switch Head Array - Short Curved Wings	\$6,154.00
250EU30	Switch-It 3-Switch Head Array - Long Curved Wings	\$6,154.00

Switch Options

–	See Switch Selections <i>(Maximum 2)</i>	–
---	--	---

Sip 'N Puff \$

250ID73	Switch-It Sip 'N Puff Combo Head Array with Link-It Hardware <i>(Requires headrest mount)</i>	\$7,037.00
250ID74	Switch-It OptiStop with Sip 'N Puff	\$2,741.00

Headrest Mounts *(Applies to Head/Sip 'N Puff control packages)* \$

250IJ13	Whitmyer® Linx Headrest Mount with Quick Release	\$247.00
250IJ14	Whitmyer® Linx-2 Headrest Mount with Quick Release	\$298.00
250IJ15	Whitmyer® AXYS Headrest Mount with Quick Release	\$247.00

SPECIALTY INPUT DEVICES

OPTION	DESCRIPTION	RETAIL
--------	-------------	--------

Chin Control Packages

\$

Proportional Input Devices

250EU34	Switch-It MicroGuide <i>(Switches mounted to the headrest only.)</i>	\$4,529.00
250EU36	Switch-It VersaGuide	\$2,557.00
250EU37	Switch-It VersaGuide EZ	\$3,023.00

Mounting Position

250EM09	Link-It To Chin Harness, Small (150mm / 6")	\$1,760.00
250EM10	Link-It To Chin Harness, Large (220mm / 8")	\$1,760.00
250EM11	Link-It To Headrest (Swing-Away)	\$1,760.00
250EM16	Omit Mount	NC

Input Device Mounting Location

250IM13	Right	NC
250IM14	Left	NC

Switch Options

–	See Switch Selections	–
---	-----------------------	---

Safety Devices

\$

250SA06	Switch-It Remote Stop Switch - XLR Connector	\$1,317.00
---------	--	------------

Switched Driving Packages

\$

250SW44	Switch-It™ Cool Cube with DB9 connector for proximity/proportional switch driving. <i>(Pro Spot proportional switches are required if proportional driving is desired.) (For non-proportional driving, single switches can be used.)</i>	\$3,949.00
---------	---	------------

SPECIALTY INPUT DEVICES

OPTION	DESCRIPTION	RETAIL
--------	-------------	--------

Switches

Single switches can be programmed to activate any function of the wheelchair including: On/Off, Mode, Profile, Speeds, Seating, Memory Positions, Horn, Lights & Indicators, IR functions, Bluetooth mouse clicks, Environmental Controls when plugged into assignable port.

Switches can connect via: Joysticks (Standard, Micro series, Versa series) Omni2, SJX6 Hub, head controls

Switch ordering instructions:

1. Select switch type and quantity in Section "A" using columns below. (Max 6 switches. See limitations below.)
2. Select switch mounting position from Section "B" using corresponding switch column.
3. Select switch mounting location from Section "C" using corresponding switch column.

Section A – Switch Selections

Switch / Quantity

Single Function Switches - Mechanical Switches

	Switch 1	Switch 2	Switch 3	Switch 4	Switch 5	Switch 6	\$
2.5" Single Switch - Black							\$230.00
2.5" Single Switch - Blue							\$230.00
2.5" Single Switch - Green							\$230.00
2.5" Single Switch - Red							\$230.00
2.5" Single Switch - Yellow							\$230.00
Egg Switch - Black							\$131.00
Egg Switch - Blue							\$131.00
Egg Switch - Green							\$131.00
Egg Switch - Red							\$131.00
Egg Switch - Yellow							\$131.00
MicroLite (Includes colour labels)							\$195.00
Mini Button 1 - Blue (Velcro)							\$125.00
Mini Button 1 - Green (Velcro)							\$125.00
Mini Button 1 - Red (Velcro)							\$125.00
1" Single Switch - Black							\$326.00
1" Single Switch - Blue							\$326.00
1" Single Switch - Green							\$326.00
1" Single Switch - Orange							\$326.00
1" Single Switch - Red							\$326.00
1" Single Switch - Yellow							\$326.00

Electronic Switches

Flex Switch (Headrest mount only)							\$254.000
-----------------------------------	--	--	--	--	--	--	-----------

ProSpot - Proportional Switches

ProSpot Proportional Switch - Red							\$562.00
ProSpot Proportional Switch - Green							\$562.00
ProSpot Proportional Switch - Blue							\$562.00
ProSpot Proportional Switch - Yellow							\$562.00
ProSpot Proportional Switch - Orange							\$562.00

Section B – Switch Mounting Position

Link-It to the Backrest (Up to 1 per side)							\$770.00
Link-It to the Headrest - Gooseneck & Rigid (Up to 2 per side)							\$770.00
Link-It to the Fixed Joystick Mount (Up to 2 per side)							\$587.00
Link-It to the Parallel Swing-Away Joystick Mount (Up to 2 per side)							\$587.00
Link-It to the Seat Rail (Up to 2 per side) (Not avail w/knee & thigh supports)							\$467.00
Omit Mount (includes Velcro)							NC

Section C – Switch Mounting Location

Right side of chair							NC
Left side of chair							NC

Joystick Integrated Switches (Pair)

250J003	Proximity Switches on Flex Mount, Pair (Used with VersaGuide/VersaGuide EZ)	\$1,178.00
---------	---	------------

JAY® SYNCRA™ SEATING MEASURING GUIDE

JAY® SYNCRA™ BACK



Backrest Width	16"	18"	20"	22"
Max User Trunk Width	13.5"	15.5"	17.5"	19.5"

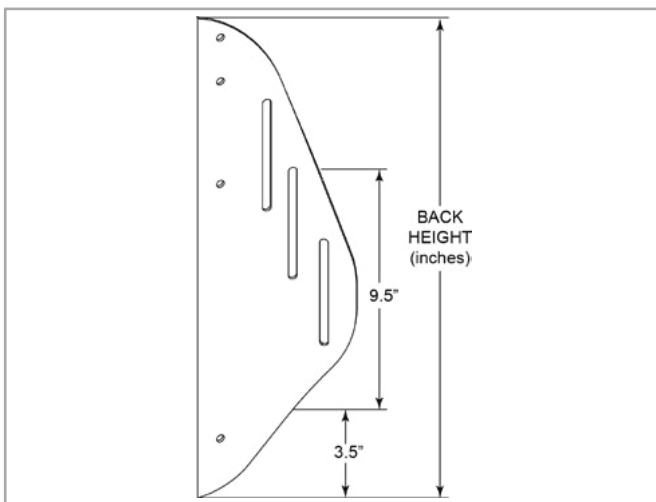
JAY® Swing-Away Lateral Thoracic Adjustment Range

Syncra Back Width	Width Range	Height range from bottom of shell to seat pan
16"	10" to 24"	12" to 19.5"
18"	12" to 26"	12.5" to 21.5"
20"	14" to 28"	12.5" to 22"
22"	16" to 30"	13.5" to 23"

Syncra™ Fixed Lateral Support Accessory Range

Syncra Back Width	Width Range	Height range from bottom of shell to seat pan	Contour Depth Range
16"	16.4" to 16.8"	6" to 8"	3" to 5"
18"	18.4" to 18.8"	6" to 8"	3" to 5"
20"	20.4" to 20.8"	6" to 8"	3" to 5"
22"	22.4" to 22.8"	6" to 8"	3" to 5"

Syncra™ Back Shell Height Diagram



JAY® SYNCRA™ CUSHION



JAY® Lateral Thigh Support Adjustment Range

Syncra Cushion Width	Width Range
16"	8.5" to 16.0"
17"	9.5" to 17.0"
18"	10.5" to 18.0"
19"	11.5" to 19.0"
20"	12.5" to 20.0"
22"	14.5" to 22.0"



Q700 M with SEDEO® PRO™

\$

Base Price	
Total of additional equipment	
Packaging and transport	
Total Price	

Signature

