



ORDER FORM

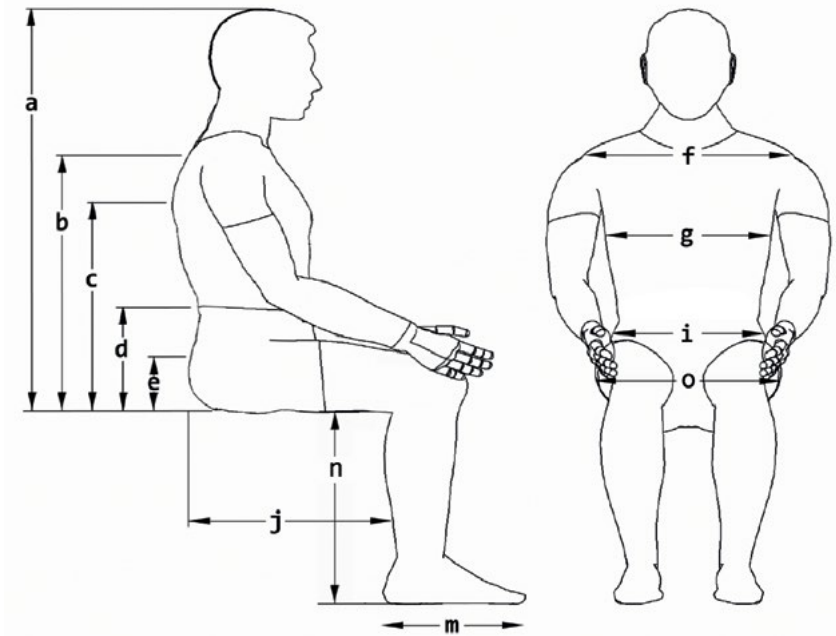
# Q700M<sup>HD</sup>

EIPW25

Customer		Ship To	
Account #		Name	
Date		Address	
PO#		City	
Buyer		Province	Postal Code
Mark For		Phone	

## Client Measurements

a) Top of head to seat	in
b) Top of shoulder to seat	in
c) Underarm to seat	in
d) Elbow to seat	in
e) Top of leg to seat	in
f) Shoulder width	in
g) Chest width	in
i) Hip width	in
j) Actual sitting depth	in
m) Foot length	in
n) Knee to foot	in
o) Seat width	in



## Notes

## Chair Specifications

Typical Weight w/out Batteries	330 lbs.
Typical Weight with Batteries	410 lbs.
Power Seating	50° of CG Tilt and Power Recline with 4" mechanical sheer reduction
Seat Type	SEDEO® PRO™ / JAY® Syncra™
Seat Size Range	Width 16" to 26" Depth 18" to 24"
Seat-to-Floor Height Range	16.5" to 19"

## Mid-Wheel Drive Base Specifications

Drive Wheel Position	Mid-wheel drive
User Weight Capacity	350 lbs. HD / 450 lbs. HD
Base Size	Width 24.5", Length 36.5"
Minimum Turning Radius	19.8" (excludes footplates)
Drive Control	R-net PM 120A / R-net PM 90A
Driving Range	Up to 18 miles (w/ Group 24 Batteries)
Drive Motors	4-pole 5 mph HD
Drive Wheels	14" w/flat-free inserts (black)
Casters	6" front / 6" rear (black)
Charger	10A Dual Mode (Compact)
Battery Size	Group 24 / Group 34
Colour	9 shroud colours and 7 colour accents
Maximum Ground Clearance	3"

BASE			
OPTION		DESCRIPTION	RETAIL
Heavy Duty Mid Wheel Drive Base <i>End Item Number EIPW25 (PRO™ Seat)</i>			\$
250PC199		Quickie Q700 M NPC HD No Power Option for SEDEO® PRO™ Seat Included in Base Pricing : Q700 M Base, R-net 90amp Electronics for No Power Seat Functions, ProGrip™ Six-Wheel Independent Suspension, 14" Drive Wheels with Dual Density Inserts, 6" Flat Free Casters, ISO Occupied Tie-Down Brackets and 10amp Charger. Max Speed = 5 mph, Weight Capacity = 450 lbs., STFH = 16.5".	\$9,969.00
250PC200		Quickie Q700 M SPC HD Single Power Option for SEDEO® PRO™ Seat Included in Base Pricing : Q700 M Base, R-net 90amp Electronics for No Power Seat Functions, ProGrip™ Six-Wheel Independent Suspension, 14" Drive Wheels with Dual Density Inserts, 6" Flat Free Casters, ISO Occupied Tie-Down Brackets and 10amp Charger. Max Speed = 5 mph, Weight Capacity = 450lbs., STFH = 16.5".	\$9,969.00
250PC204		Quickie Q700 M MPC HD Tilt/Recline for SEDEO® PRO™ Seat Included in Base Pricing: Q700 M Base, R-net 90amp Electronics for No Power Seat Functions, ProGrip™ Six-Wheel Independent Suspension, 14" Drive Wheels with Dual Density Inserts, 6" Flat Free Casters, ISO Occupied Tie-Down Brackets and 10amp Charger. Max Speed = 5 mph, Weight Capacity = 350lbs., STFH = 16.5".	\$9,969.00
User Weight			\$
250WG15		301 to 350 lbs.	NC
250WG25		351 to 450 lbs.	NC
Motor Package			\$
250PF98		4-pole 8 kph / 5 mph	NC
Tracking			\$
250MI01		SureTrac® Module & Motor Encoders <i>(Improves drive tracking)</i>	\$1,696.00
Drive Wheels			\$
250DW58		Drive Wheel, 14", Dual Density, Knobby, Black	NC
Caster Wheels			\$
250CW55		Caster Wheels 6", Solid, Black	NC
Shroud Colour			\$
250C119		Matte Black	NC
250C165		Candy Apple Red	NC
250C166		Candy Blue	NC
250C167		Candy Purple	NC
250C176		Green Apple	NC
250C178		Pearl Pink	NC
250C182		Silver	NC
250C125		Pearl White	NC

**BASE**

OPTION	DESCRIPTION	RETAIL
--------	-------------	--------

**Colour Accents** \$

Note: Colour Accents and Shroud Colours may not match.

250EZ20	Green	NC
250EZ22	Black	NC
250EZ21	Blue	NC
250EZ23	Orange	NC
250EZ24	Red	NC
250EZ25	Silver	NC
250EZ19	White	NC

**Service Decals** \$

250D10	Army	NC
250D11	Air Force	NC
250D13	Marines	NC
250D14	Navy	NC
250D15	Purple Heart	NC

**ISO Transit Tie Downs** \$

250T050	ISO Transit Package	NC
---------	---------------------	----

**LED Lights** \$

250LI04	LED Lights and Indicators	\$1,225.00
250LI08	LED Fender Lights	\$646.00
250LI09	LED Fender Lights <i>(Available with Multi-Power only)</i>	NC
250LI02	Omit LED Lights	NC

**Seat Heights** \$

Note: Available seat-to-floor heights are dependent on 2 options: **1- Battery Size** and **2- Powered Seating**.

Use the matrix below to determine available ranges for your desired options. Measured from front of seat pan to floor with 0° frame angle.

	Seat Height	Power Seating	No Power Seating	PRO ADVANCED Recline		
				w/o Elevate	w/ Elevate	
250HT103	16.5"	Group 34	Group 34	N/A	N/A	NC
250HT55	17"	Group 34	GP24 or GP34	GP34	GP34	NC
250HT104	17.5"	Group 34	GP24 or GP34	GP34	GP34	NC
250HT56	18"	GP24 or GP34	GP24 or GP34	GP24 / GP34	GP34	NC
250HT105	18.5"	GP24 or GP34	GP24 or GP34	GP24 / GP34	GP24 / GP34	NC
250HT57	19"	GP24 or GP34	GP24 or GP34	GP24 / GP34	GP24 / GP34	NC

**Batteries and Chargers** \$**Group 24 Battery Options (Recommended for max daily range)**

250AG25	GP24 Flat Top Pair w/Strap MK Gel	\$955.00
250AG26	GP24 Flat Top Pair w/Strap AGM	\$915.00

BASE		
OPTION	DESCRIPTION	RETAIL
<b>Group 34 Battery Options (Required for lower seat-to-floor heights)</b>		
250AG27	GP34 Flat Top Pair w/Straps MK Gel	\$955.00
250AG29	GP34 Flat Top Pair w/Straps AGM	\$863.00
<b>Omit Batteries</b>		
250AG24	Battery Harnesses Only (Omit Batteries)	NC
<b>Chargers</b>		
250BJ28	10A Dual Mode (Compact)	NC
POWERED SEATING		
OPTION	DESCRIPTION	RETAIL
<b>Power Seating Options</b> \$		
<b>Seat Tilt</b>		
250PA36	Posterior 50° HD Tilt	\$8,923.00
<b>Seat Recline (Available up to 350 lbs.)</b>		
250PA39	150° HD Powered Recline w/ 4" Shear Reduction	\$8,923.00
<b>Seat Tilt/Recline (Available up to 350 lbs.)</b>		
250PA43	Posterior 50° HD Tilt and 150° HD Recline Powered, w/ 4" Shear Reduction	\$14,392.00
250PA63	Posterior 50° HD Tilt and PRO ADVANCED 165° HD Recline Powered, w/ 7" Shear Reduction	\$14,898.00
<b>Power Recline Backrest Preset Home Angle</b>		
250QK1	90°	NC
250QK2	95° (Default Position)	NC
<b>Pre Set Seat Frame Angle (No Power Seating Options, Increases Seat to Floor Height)</b> \$		
250FA10	0° (Adds 0" to STFH)	NC
250FA3	3° (Adds 1" to STFH)	NC
<b>Backrest Frame Type (N/A with Powered Recline)</b> \$		
250BF10	Tool Angle Adjustable Back, 90°-120°	NC
250BF11	User Adjustable Manual Semi-Recline Back, 90°-130°, Right (Adjustment lever mounted on opposite side of joystick)	\$824.00
250BF12	User Adjustable Manual Semi-Recline Back, 90°-130°, Left (Adjustment lever mounted on opposite side of joystick)	\$824.00
<b>Backrest Frame Option (N/A with PRO ADVANCED)</b> \$		
250BF13	Flip Down, Quick Release	\$179.00
<b>Back Cushion Type</b> \$		
250BT134	SEDEO® Back Cushion (Choose Seating in Section A) (N/A with PRO ADVANCED)	NC
250BT138	JAY® Syncra™ (Choose Seating in Section B)	NC
250BT135	JAY® J3® (Choose Seating in Section C)	NC
250BT137	SEDEO® Aftermarket Back Adapter (Height adjustable round tubes for traditional mounting)	\$633.00
250BT133	OMIT (For personalized mounting. No headrest mount)	NC

## POWERED SEATING

OPTION	DESCRIPTION	RETAIL
--------	-------------	--------

## A - SEDEO® Backrest Dimensions (N/A with PRO ADVANCED)

\$

## Back Width

250BN29	460mm / 18"	NC
250BN30	500mm / 20"	NC
250BN31	560mm / 22"	NC
250BN38	610mm / 24"	NC
250BN39	660mm / 26"	NC

## Back Shell Height

		Tool Angle Adjust.	150° Recline	Installed Back Height	
250B255	460mm / 18"	22"-23"	23"-25"		NC
250B256	560mm / 22"	24"-27"	26"-29"		NC
250B257	660mm / 26"	28"-30"	30"		NC

## Installed Back Height - (From Pan to Top of Back)

250JR32	22"	NC
250JR33	23"	NC
250JR34	24"	NC
250JR35	25"	NC
250JR36	26"	NC
250JR37	27"	NC
250JR38	28"	NC
250JR39	29"	NC
250JR40	30"	NC

## B - JAY® Syncra™ Seating

B - JAY® Syncra™ Back  P. 22

\$

250JP14	JAY® Syncra™ Back 16-20" Wide with 3" Contour Depth	\$1,339.00
250JP15	JAY® Syncra™ Back 22" Wide with 3" Contour Depth	\$1,339.00

## B - JAY® Syncra™ Back Width

\$

Back can be ordered a different width than seat pan. Armrest will be adjusted to back width ordered.

250JQ07	16" Wide (Adjustment range 16 to 17" Wide)*	NC
250JQ08	18" Wide (Adjustment range 18 to 19" Wide)*	NC
250JQ09	20" Wide (Adjustment range 20 to 21" Wide)*	NC
250JQ10	22" Wide (Adjustment range 22 to 23" Wide)	NC

\*Additional +1" of shell width adjustment is achievable. Requires purchase of 1" larger foam and upholstery separately.

**POWERED SEATING**

OPTION	DESCRIPTION	RETAIL
--------	-------------	--------

**B - JAY® Syncra™ Back Shell Options and Height Ranges**

\$

JAY® Syncra™ Back shells are mounted with a minimum 5.5" gap between the bottom of the shell to the seat pan to accommodate the mechanical shear. Back height can be adjusted in the field within the ranges shown based on the back frame type.

**JAY® Syncra™ Shell Height**

250JR42	16" Tall Shell (22" to 24" Back Height)	NC
250JR43	18" Tall Shell (24" to 26" Back Height)	NC
250JR44	20" Tall Shell (26" to 28" Back Height)	NC
250JR45	22" Tall Shell (28" to 30" Back Height)	NC

**JAY® Syncra™ Back Installed Back Height (From Pan to Top of Back)**

250JR50	22" (16" Shell Height)	NC
250JR51	23" (16" Shell Height)	NC
250JR52	24" (16" Shell Height)	NC
250JR53	24" (18" Shell Height)	NC
250JR54	25" (18" Shell Height)	NC
250JR55	26" (18" Shell Height)	NC
250JR56	26" (20" Shell Height)	NC
250JR57	27" (20" Shell Height)	NC
250JR58	28" (20" Shell Height)	NC
250JR67	28" (22" Shell Height)	NC
250JR68	29" (22" Shell Height)	NC
250JR69	30" (22" Shell Height)	NC

**B - JAY® Syncra™ Back Upholstery**

\$

250BU96	Syncra™ Premium Leatherette	NC
250BU97	Syncra™ Stretch	NC

**C - JAY® J3® Back****C - JAY® J3® Back - Contour**

\$

250JP01	J3® PA Back for 16"-20" Wide	\$912.00
250JP02	J3® PA Back for 22" Wide	\$1,941.00
250JP11	J3® PL Back for 16"-20" Wide	\$986.00
250JP13	J3® PD Back for 16"-20" Wide (18" and 21" shell height only)	\$1,068.00
250JP18	J3® Plus MT Back for 22"-26" Wide	\$1,947.00

## POWERED SEATING

OPTION	DESCRIPTION	RETAIL
--------	-------------	--------

## C - JAY® J3® Back Width

\$

Back can be ordered a different width than seat pan. Armrest will be adjusted to back width ordered.

250JQ02	16"	NC
250JQ03	18"	NC
250JQ04	20"	NC
250JQ05	22"	NC
250JQ15	24"	NC
250JQ16	26"	NC

## C - JAY® J3® Back Shell Options and Height Ranges

\$

JAY® J3® shells are mounted with a minimim 4" gap between the bottom of the shell to the seat pan to accommodate the mechanical shear. Back height can be adjusted in the field within the ranges shown, based on the back frame type and the amount of usable hardware adjustability.

## JAY® J3® Shell Height

		Tool Angle Adjust.	150° Recline	PRO ADVANCED	Installed Back Height	
250JR41	15" tall shell (Upper Thoracic Med) for 22" Wide	22"-23"	22"-23"	21"-24"		NC
250JR14	16.5" tall shell (Upper Thoracic Short)	21"-23"	22"-24"	21"-24"		NC
250JR15	18" tall shell (Upper Thoracic Med)	22"-24"	23"-25"	22"-26"		NC
250JR16	19.5" tall shell (Upper Thoracic Tall)	24"-26"	24"-26"	23"-27"		NC
250JR18	18" tall shell (Shoulder Height) for 22" wide	24"	24"	21"-25"		NC
250JR79	20" tall shell (Mid Thoracic) for 22" - 26" wide	21"-22"	21"-23"	N/A		NC
250JR17	21" tall shell (Shoulder Height)	24"-26"	25"-28"	25"-28"		NC
250JR27	22.5" tall shell (Shoulder Height)	26"-28"	27"-30"	26"-29"		NC
250JR80	23" tall shell (Mid Thoracic) for 22" - 26" wide	23"-24"	23"-25"	N/A		NC
250JR28	24" tall shell (Shoulder Height)	27"-29"	28"-30"	28"-30"	NC	

## JAY® J3® Installed Back Height (From Pan to Top of Back)

250JR29	21"	NC
250JR19	22"	NC
250JR20	23"	NC
250JR21	24"	NC
250JR22	25"	NC
250JR23	26"	NC
250JR24	27"	NC
250JR25	28"	NC
250JR30	29"	NC
250JR31	30"	NC



**POWERED SEATING**

OPTION	DESCRIPTION	RETAIL
--------	-------------	--------

**C - JAY® Anterior Thoracic Support** \$

*Classic-Structure Pull Down Harness (4 point strap, only available with JAY® backrest)*

250K10	Medium (ATS8302)	\$322.00
250K11	Large (ATS8303)	\$322.00

**JAY® Lateral Thoracic Swing-Away Supports (Requires Pad, Upholstery and Mount)** \$**JAY® Lateral Thoracic Support Pads**

250JW35	Lateral Thoracic (L x H) 100 mm x 127 mm / 4" x 5" Pad - Right	\$75.00
250JW38	Lateral Thoracic (L x H) 100 mm x 127 mm / 4" x 5" Pad - Left	\$75.00
250JW36	Lateral Thoracic (L x H) 100 mm x 152 mm / 4" x 6" Pad - Right	\$75.00
250JW39	Lateral Thoracic (L x H) 100 mm x 52 mm / 4" x 6" Pad - Left	\$75.00
250JW37	Lateral Thoracic (L x H) 152 mm x 100 mm / 6" x 4" Pad - Right	\$75.00
250JW40	Lateral Thoracic (L x H) 152 mm x 100 mm / 6" x 4" Pad - Left	\$75.00

**JAY® Lateral Thoracic Support Pad Upholstery**

250NU01	Syncra™ Premium Leatherette	NC
250NU02	Syncra™ Stretch	NC

**JAY® Lateral Thoracic Swing-Away Mount**

250JW41	Lateral Thoracic Swing Away Bracket - Right	\$334.00
250JW42	Lateral Thoracic Swing Away Bracket - Left	\$334.00

**JAY® Syncra™ Fixed Lateral Support Accessory** \$**JAY® Fixed Lateral Support Accessory Hardware** (JAY® Fixed Lateral Support is height adjustable)

250JW33	Fixed Lateral Support Accessory (L x H) 90 mm x 140 mm / 3.5" x 8" - Right	\$334.00
250JW34	Fixed Lateral Support Accessory (L x H) 90 mm x 140 mm / 3.5" x 8" - Left	\$334.00

**Headrests (Requires Pad, Upholstery, & Mount)** \$**Headrest Pad**

250HE36	SEDEO® Pad Small With Cover (LxH) 240 x 150 mm / 10" x 6" <i>Can only be used with Multi Position Headrest Mount with Quick Release and SEDEO® Upholstery</i>	\$227.00
250HE38	Whitmyer® Plush Headrest Pad 203 mm / 8"	\$377.00
250HE39	Whitmyer® Plush Headrest Pad 254 mm / 10"	\$377.00
250HE44	Whitmyer® Plush Headrest Pad 356 mm / 14"	\$377.00
250HE46	Whitmyer® Adjust-A-Plush Headrest Pad Medium (Adjustable from 7 to 16" Wide x 4" Tall)	\$445.00
250HE48	OMIT Headrest Pad	NC

**POWERED SEATING**

OPTION	DESCRIPTION	RETAIL
<b>Headrest Pad Upholstery</b>		
250NU10	SEDEO® Upholstery	NC
250NU04	Syncra™ Premium Leatherette	NC
250NU05	Syncra™ Stretch	NC
250NU11	Whitmyer® Lycra	NC
<b>Headrest Mount</b>		
250MH32	SEDEO® Multi-Position Headrest Mount with Quick Release <i>(Only available with SEDEO® Pad)</i>	\$557.00
250MH33	Whitmyer® Linx Headrest Mount with Quick Release	\$247.00
250MH34	Whitmyer® Linx-2 Headrest Mount with Quick Release	\$298.00
250MH35	Whitmyer® AXYS Headrest Mount with Quick Release	\$247.00
250MH17	OMIT Headrest Mount	NC
<b>Push Handles</b> \$		
250PH27	Height Adjustable Push Handles	\$61.00
<b>Seat Frame Rails</b> \$		
250SN16	HD Seat Rail <i>(For effective seat depth 18" to 24") (N/A with PRO ADVANCED)</i>	\$806.00
250SN15	Seat Rail Long <i>(For effective seat depth 18" to 22")</i>	\$806.00
<b>Seat Cushion Type</b> \$		
250ST81	JAY® Syncra™ Cushion (See Section D)	NC
250ST80	JAY® (See Section E)	NC
250ST75	Omit	NC
<b>C - Seat Size</b> \$		
<b>Seat Pan Width</b>		
250R53	16"	NC
250R54	17"	NC
250R55	18"	NC
250R56	19"	NC
250R57	20"	NC
250R58	21" <i>(Not available with JAY® Syncra™ Cushions)</i>	NC
250R59	22"	NC
250R79	23" <i>(Not available for JAY® Syncra™ Cushions, or PRO ADVANCED)</i>	NC
250R80	24" <i>(Not available for JAY® Syncra™ Cushions, or PRO ADVANCED)</i>	NC
250R81	25" <i>(Not available for JAY® Syncra™ Cushions, or PRO ADVANCED)</i>	NC
250R82	26" <i>(Not available for JAY® Syncra™ Cushions, or PRO ADVANCED)</i>	NC

## POWERED SEATING

OPTION	DESCRIPTION	RETAIL
<b>Seat Pan Depth (Front of seat pan to front of back cushion – effective depth)</b>		
250RF46	18"	NC
250RF47	19"	NC
250RF48	20"	NC
250RF49	21" <i>(Not available with JAY® Syncra™ Cushions)</i>	NC
250RF50	22"	NC
250RF65	23" <i>(N/A with PRO ADVANCED)</i>	NC
250RF66	24" <i>(N/A with PRO ADVANCED)</i>	NC

**E - JAY® Syncra™ Cushion**  p. 22 (JAY Your Way modifications available through Customer Service (1-800-263-3390)) **\$**

250CU89	JAY® Syncra™ Cushion featuring JAY Flow® Fluid with Cryo™ Technology <i>(16" to 20" wide)</i>	\$1,017.00
250CU90	JAY® Syncra™ Cushion featuring JAY Flow® Fluid with Cryo™ Technology <i>(22" wide)</i>	\$1,125.00

**JAY® Syncra™ Cushion Cover Upholstery**

250YR73	Syncra™ Premium Leatherette	NC
250YR74	Syncra™ Stretch	NC

**D - JAY® Seat Cushion** **\$**

250CU59	JAY® Ion® <i>(Sizes 16" - 21" Wide)</i>	\$657.00
250CU60	JAY® Ion® <i>(Size 22" Wide)</i>	\$698.00
250CU61	JAY® Union® <i>(Sizes 16" - 21" Wide)</i>	\$764.00
250CU62	JAY® Union® <i>(Size 22" Wide)</i>	\$806.00
250CU64	JAY® Fusion® <i>(Sizes 16" - 21" Wide)</i>	\$1,045.00
250CU65	JAY® Fusion® <i>(Size 22" Wide)</i>	\$1,188.00
250CU95	JAY® J2® Plus, Fluid <i>(Sizes 24" - 26" Wide)</i>	\$1,316.00
250CU96	JAY® J2® Plus <i>(Sizes 24" - 26" Wide)</i>	\$998.00

## POSITIONING SUPPORTS & ACCESSORIES

OPTION	DESCRIPTION	RETAIL
<b>Knee and Thigh Swing-Away Support Pads</b>		<b>\$</b>
<b>Lateral Knee Support Pads and Hardware (must pick pad and mount)</b>		
250XY05	Lateral Knee Support Pad, Right (4" round)	\$247.00
250XY06	Lateral Knee Support Pad, Left (4" round)	\$247.00
250XX08	Lateral Swing-Away Bracket Knee - Right	\$325.00
250XX09	Lateral Swing-Away Bracket Knee - Left	\$325.00
<b>Lateral Thigh Support Pads and Hardware (must pick pad and mount)</b>		
250KF22	Lateral Thigh Support Pad Short - Right (5"x5")	\$146.00
250KF23	Lateral Thigh Support Pad Short - Left (5"x5")	\$146.00
250KF24	Lateral Thigh Support Pad Long - Right (5"x7")	\$146.00
250KF25	Lateral Thigh Support Pad Long - Left (5"x7")	\$146.00
250KF26	Lateral Thigh Removable Mount - Right	\$325.00
250KF27	Lateral Thigh Removable Mount - Left	\$325.00
<b>JAY® Lateral Thigh Supports (Must pick pad, upholstery, and mount)</b>		<b>\$</b>
<b>JAY® Lateral Thigh Support Pads</b>		
250KF16	Lateral Thigh Support Pad Standard, Right (8.25" x 3.25")	\$146.00
250KF17	Lateral Thigh Support Pad Standard, Left (8.25" x 3.25")	\$146.00
250KF18	Lateral Thigh Support Pad Large, Right (12" x 3.25")	\$146.00
250KF19	Lateral Thigh Support Pad Large, Left (12" x 3.25")	\$146.00
<b>JAY® Lateral Thigh Support Pad Upholstery</b>		
250NU07	Syncra™ Premium Leatherette	NC
250NU08	Syncra™ Stretch	NC
<b>JAY® Lateral Thigh Removable Mount</b>		
250KF20	Lateral Thigh Removable Mount - Right	\$325.00
250KF21	Lateral Thigh Removable Mount - Left	\$325.00
<b>Armrest Structure</b>		<b>\$</b>
250EG35	Reclining, Flip Back, Long (Height adjustable 9" to 15")	NC
250EG41	Reclining, Flip Back, Short (Best used with shorter seat depths) (Height adjustable 9" to 15")	NC
250EG36	Reclining, Flip Back with 2-point post locking arm (Height adjustable 11" to 15" x .625")	\$351.00
250EG51	Reclining, Flip Back, Dual Link Armrest (No Charge for Multi-Power) (Height adjustable 8" to 15" including length and lateral adjustment)	NC
250EG32	Single Post, Flip Back (N/A with thigh support), (Height adjustable 10" to 15")	NC

## POSITIONING SUPPORTS & ACCESSORIES

OPTION	DESCRIPTION	RETAIL
<b>Arm Pads</b>		\$
<b>SEDEO® Armrest Pad</b>		
250AB43	300 mm / 12", Integral Foam, Right	NC
250AE43	300 mm / 12", Integral Foam, Left	NC
250AB44	400 mm / 16", Integral Foam, Right	NC
250AE44	400 mm / 16", Integral Foam, Left	NC
<b>Comfort Arm Pad (Foam)</b>		
250AB46	2" Wide Right	\$113.00
250AE46	2" Wide Left	\$113.00
<b>Comfort Arm Pad (Gel)</b>		
250AB48	2" Wide Right	\$213.00
250AE48	2" Wide Left	\$213.00
<b>Ottobock® Arm Troughs</b>		
250AE06	Ottobock Arm Trough, Med (12"), Left	\$139.00
250AB06	Ottobock Arm Trough, Med (12"), Right	\$139.00
250AE07	Ottobock Arm Trough, Large (14"), Left	\$139.00
250AB07	Ottobock Arm Trough, Large (14"), Right	\$139.00
250OL01	Ottobock Hand Pad, Med (7"), Left	\$70.00
250OR01	Ottobock Hand Pad, Med (7"), Right	\$70.00
250OL02	Ottobock Hand Pad, Large (9"), Left	\$70.00
250OR02	Ottobock Hand Pad, Large (9"), Right	\$70.00
250AE78	Ottobock One Piece Arm Trough (18"), Left	\$198.00
250AB78	Ottobock One Piece Arm Trough (18"), Right	\$198.00
<b>Elbow Support</b>		\$
2503A02	Elbow Support Pad, RH 3" x 10" <i>(Includes side support)</i>	\$228.00
2503A03	Elbow Support Pad, LH 3" x 10" <i>(Includes side support)</i>	\$228.00
2503A06	Elbow Support Pad, RH 3" x 3"	\$167.00
2503A07	Elbow Support Pad, LH 3" x 3"	\$167.00
2503A04	Swing-Away Elbow Support Hardware, RH	\$279.00
2503A05	Swing-Away Elbow Support Hardware, LH	\$279.00
<b>Side Guards (Pair)</b>		\$
250SG44	Side Guards Integral Foam (11"L x 5.5"H) <i>(N/A with Reclining Armrests)</i>	\$356.00
<b>Fixed Centermount Legrest</b>		\$
250H183	SEDEO® Fixed Centermount Legrest <i>(3" to 17.5" Leg Length)</i>	\$351.00
250H184	Fixed Centermount Legrest, Short <i>(Includes Calf Pads &amp; Single Footplate) (11.5" to 14.5" Leg Length)</i>	NC
250H185	Fixed Centermount Legrest, Long <i>(Includes Calf Pads &amp; Single Footplate) (13.5" to 18.5" Leg Length)</i>	NC

## POSITIONING SUPPORTS & ACCESSORIES

OPTION	DESCRIPTION	RETAIL
<b>Power Centermount Legrest</b>		<b>\$</b>
250H175	Power Centermount Legrest, 90° - 0° Angle, 7.5" Extension ( <i>Mechanical Articulation</i> ) (5" to 17.5" Leg Length)	\$2,487.00
250H109	Power Centermount Legrest, 90° - 0° Angle, 7.5" Extension ( <i>Powered Articulation</i> ) (3" to 17.5" Leg Length) ( <i>Required for PRO ADVANCED</i> )	\$3,435.00
<b>Power Centermount Legrest Accessories</b>		<b>\$</b>
<b>Footplates</b>		
250F127	Dual, Height, Width and Angle Adjustable, Standard (14"W x 10"D)	\$284.00
250F128	Dual, Height, Width and Angle Adjustable, Large (16"W x 12"D)	\$284.00
<b>Footplate Accessories (Available with Power Centermounts)</b>		
250DI68	Extra Large Centermount Footplate ( <i>Single Footplate Overlay 16"W x 12"D</i> )	\$315.00
250DI69	Footplate Connector Link ( <i>Attaches footplates together</i> )	\$96.00
250DI57	Gel Footpads ( <i>Pair, LH and RH</i> )	\$401.00
<b>Calf Pad Options</b>		
250DI34	Calf Pads, Pair, Standard	NC
250DI35	Calf Pads, Pair, Padded ( <i>N/A w/ Std footplate</i> )	\$356.00
<b>SEDEO® PRO™ Swing-Away Legrest (Pair)</b>		<b>\$</b>
250H190	HD Legrests, Swing-Away, 70°, SEDEO® PRO™ (14" to 21" Leg Length)	NC
250H199	HD Legrests, Manual Elevating, Swing-Away, SEDEO® PRO™ (14".5 to 21.5" Leg Length) ( <i>Includes Padded Calf Pads</i> )	\$605.00
250H191	HD Legrests, Power Elevating, Swing-Away, SEDEO® PRO™ (15.5" to 22.5" Leg Length) ( <i>Includes Padded Calf Pads</i> )	\$3,435.00
250DI76	Omit Legrests	NC
<b>Swing-Away Legrest Footplates</b>		
250F369	Angle Adjustable Flip-Up Footplates	\$284.00
<b>Swing-Away Legrest Calf Supports</b>		
250DI42	Calf Support, Depth Adjustable, Padded (6.5" to 8" Wide, Depending On Chair Width, x 9.5" Tall)	\$512.00
<b>Swing-Away Legrest Options</b>		
250DI44	Heel Loops	NC
250KG4	Knee Pads, Integral Foam (2.5" Wide x 4.5" Tall)	\$282.00
<b>SEDEO® Lower Extremity Swing-Away Support</b>		
250VD01	Lower Extremity Support, Padded, Swing-Away, SEDEO®, Right	\$512.00
250VD02	Lower Extremity Support, Padded, Swing-Away, SEDEO®, Left	\$512.00
<b>Pelvic Positioning Belts</b>		
250A837	Positioning Belt, Auto Style Buckle, 50 mm 1600 mm / 2"	NC
250A839	Positioning Belt, Aircraft Buckle, 50 mm x 1300 mm / 2"	NC
250A840	Positioning Belt, Aircraft Buckle, Padded 50 mm x 1300 mm / 2"	\$103.00
250A845	Bodypoint - Evoflex Pelvic Stabilizer Belt	\$216.00
250A846	Bodypoint - Evoflex Pelvic Stabilizer Belt with Extension	\$271.00

## POSITIONING SUPPORTS & ACCESSORIES

OPTION	DESCRIPTION	RETAIL
<b>Accessories</b>		\$
<b>Ventilator Option</b>		
250VT12	Vent Tray Fixed <i>(Pulmonetic LTV Models)</i>	\$609.00
<b>O2 Tank Option</b>		
250A718	O2 Tank Holder Mounted to Backrest <i>(D and E Styles)</i>	\$391.00
<b>Wheelchair Tray Table</b>		
2507A09	Tray, Swing-Away	\$381.00
<b>Backpack</b>		
250A1	Black Utility	\$112.00
<b>Medial Thigh Support (N/A with Centermount Legrests)</b>		
2508A80	Medial Thigh Support	\$271.00
2508A81	Pommel Swing-Away Hardware	\$390.00
<b>Misc. Accessories</b>		
2508A59	Transfer Bar <i>(Pair)</i>	\$493.00
2508A52	Ram Mount Phone	\$77.00
2508A53	Ram Mount Tablet	\$308.00
2508A54	Ram Mount Cup Holder	\$77.00
2508A58	Rear View Mirror	\$77.00
250A611	Crutch Holder <i>(N/A w/Power Recline)</i>	\$174.00
2508A73	Bag for Armrest	\$77.00
2508A75	Reflectors <i>(Backrest shroud mounted)</i>	\$115.00
2509A10	Utility Hooks	\$30.00

**JOYSTICK / ELECTRONICS**

OPTION	DESCRIPTION	RETAIL
<b>R-net Joystick (Remote)</b> \$		
250J121	Standard LED Joystick ( <i>w/o Screen Display</i> )	NC
250J116	Colour Joystick ( <i>2.3" Colour LCD Screen Display, CJSM1</i> )	NC
250J118	High Resolution Colour Joystick,(CJSM2+BT) <i>3.5" Colour LCD Display, Paddle Switches, Programmable Shortcut Keys, ICONs, Stereo Jack, IR and dual (IOS/Android) Bluetooth control</i>	\$1,162.00
250J119	Omit Remote Control ( <i>Required with arm mounted specialty controls</i> )	NC
<b>Joystick Mounting</b> \$		
250JM34	Fixed on Armrest	NC
250JM35	Parallel Swing-Away	\$447.00
250JM36	Link-It Mid Line Mount on Armrest ( <i>Swing-Away</i> )	\$447.00
250JM49	Attendant ( <i>Available with LED or CJSM1 only. Mounted to Push Handle</i> )	NC
<b>Joystick Mount (Location)</b> \$		
250HM16	Right Hand	NC
250HM17	Left Hand	NC
<b>Display Language Selection R-net</b> \$		
250L1	English	NC
250L3	French	NC
250L7	Spanish	NC
<b>Joystick Handle (Optional)</b> \$		
250JH13	Ball Handle	\$110.00
250JH15	T-Handle	\$110.00
250JH24	Bodypoint – Rubber Dome Joystick Handle	\$216.00
250JH25	Bodypoint – U-Shaped Joystick Handle ( <i>4 inch</i> )	\$216.00
250JH26	Bodypoint – Grooved Mushroom Joystick	\$216.00
<b>Electronic Programmers</b> \$		
250PR13	R-net PC Wireless Programmer	\$660.00
<b>R-net Power Modules</b> \$		
250ER18	Power Module, R-net, 90A, Non-Expandable ( <i>Available with No Power and Single Power</i> )	NC
250ER17	Power Module, R-net, 90A, Expandable <i>Required for specialty controls or 3+ actuators</i>	\$102.00
<input type="checkbox"/> 250EX15	Expandable 90A Controller - R-net	NC
<input type="checkbox"/> 250EX16	Harness for 90A Expandable Controller	NC



## JOYSTICK / ELECTRONICS

OPTION	DESCRIPTION	RETAIL
<b>Seating Control</b>		\$
<b>Powered Seating Control</b>		
250E040	Omit Thru-Drive <i>(Requires Switch Control)</i>	NC
250E037	Thru-Drive Control for 1 Actuator	\$1,443.00
250E038	Thru-Drive Control for 2+ Actuators	\$2,903.00
250E032	CxSM, Thru-Drive Control for 2+ Actuators <i>(Required for PRO ADVANCED)</i>	\$2,903.00
<b>Switch Control</b> <i>(Available with Omit Thru-Drive only) (1 actuator for Tilt or Elevate only)</i>		
250E033	Dual Toggle for 1 Actuator	NC
250E034	2.5" Single Button Switch for 1 Actuator <i>(Button switches are not mounted)</i>	NC
250E041	Ctrl+5 Switch Box for 2 Actuators or More	NC
<b>Additional Power Seating Control</b> <i>(Available with Thru-Drive only)</i>		
250QG11	Ctrl+5 Switch Box with Free Assignable Functions	\$1,078.00
250QG12	Ctrl+5 Switch Box with Free Assignable Functions <i>(Multi-power only)</i>	NC
<b>Dual Toggle Mounting Location</b>		
250TN1	Toggle Mount, Right	NC
250TN2	Toggle Mount, Left	NC
<b>Ctrl+5 Mounting Location</b> <i>(Will swing away if mounted in same location as joystick)</i>		
250EY19	Right Armrest	NC
250EY20	Left Armrest	NC
250EY21	Back Cane, Right	\$175.00
250EY24	Back Cane, Left	\$175.00
<b>Ctrl+5 Switch Type</b>		
250EY22	Push Buttons	NC
250EY23	Toggle Switches	\$356.00
<b>Attendant Controls</b>		\$
2500A05	Dual Control Module for Attendant	\$1,225.00
2500A06	R-net Colour LCD (CJSM1), Attendant Control Only	\$1,225.00
<b>Attendant Mounting Location</b>		\$
250DN5	Right Back Cane	NC
250DN6	Left Back Cane	NC

**JOYSTICK / ELECTRONICS**

OPTION	DESCRIPTION	RETAIL
--------	-------------	--------

**R-net Programming**

\$

**Assignable Buttons**

Assignable Button feature allows for personalization of joystick buttons and/or Ctrl+5 Switches allowing access to various wheelchair and seating functions. When enabled, chair will be pre-programmed with seating functions assigned to buttons on the joystick. Assignments can be changed via PC Dongle.

250PM12	Include Assignable Buttons	NC
---------	----------------------------	----

**Power Centermount Footplate Extension Option**

250IE03	Include 7.5" Powered Footplate Extension for Transfer Assist (Electronics programmed to allow footplates to be extended with or without legrest being raised.) Only available with Powered Articulation.	\$592.00
---------	--	----------

**R-net Omni2 Options** For Expandable Controls, choose all that apply.

\$

250N14	R-net Omni2 Only Input Control Module and 3.5" LCD Display w/ Built-In Infrared & Bluetooth Choose Mount Below	\$2,384.00
250N15	R-net Omni2 Bundled Input Control Module and 3.5" LCD Display w/ Built-In Infrared & Bluetooth Bundled Omni2 Available w/ Switch-It Input Devices	NC

**Omni2 Mount** If used w/ Standard Joystick, it must be mounted opposite side.

\$

250DS14	Link-It with Parallel Swing-Away Omni2 Mount w/ Rear Mounted Interface, Right	\$698.00
250DS15	Link-It with Parallel Swing-Away Omni2 Mount w/ Rear Mounted Interface, Left	\$698.00

**PRO ADVANCED Programming**

\$

**Biometric Repositioning**

250PM03	Include Biometric Repositioning (Requires Memory Position #1, #2, #3 below)	NC
---------	---	----

**Memory Seating**

"Memory Seating" feature allows for up to six custom seating positions that are accessed either through the joystick, Ctrl+5, joystick shortcut keys or programmable jacks on Omni2 and joystick. Choose desired preset settings below. Default positions are dealer adjustable.

250PM06	Include #1 Memory Seating (Seated) (Required)	NC
250PM07	Include #2 Memory Seating (Supine)	NC
250PM08	Include #3 Memory Seating (Pressure Relief)	NC
250PM09	Include #4 Memory Seating (Feet Above Heart)	NC

**PRAR Pressure Relief Alert and Reminders**

PRAR Pressure Relief Alert and Record feature provides programmable alerts to be set into the R-net electronics that will prompt the user when it is time to perform a pressure relief. The R-net system will record how often the pressure relief is completed or ignored.

250PM14	Include PRAR (Minimum requirement Memory Position #1 and #3)	NC
---------	--	----

## SPECIALTY INPUT DEVICES

OPTION	DESCRIPTION	RETAIL
--------	-------------	--------

**Hand Control Packages** *Requires Standard Joystick Omit / Only one hand control device can be ordered.*

\$

**Proportional Input Devices**

250EU14	Switch-It MicroGuide	\$4,529.00
250EU17	Switch-It VersaGuide	\$2,557.00
250EU18	Switch-It VersaGuide EZ	\$3,023.00

**Mounting Position (Required)**

250EM04	Link-It to the Backrest <i>(Not Available w/ Omit Back Cushion Type)</i>	\$1,338.00
250EM05	Link-It to the Fixed Joystick Mount	\$416.00
250EM06	Link-It to the Parallel Swing-Away Joystick Mount	\$416.00
250EM07	Link-It to the Midline Swing-Away	\$1,480.00
250EM08	Omit Mount	NC

**Mounting Platforms (Optional)** *Not available w/ Link-It to Backrest*

250MG16	SunDisk Hand Tray <i>(Only available w/ MicroSeries Joysticks)</i>	\$416.00
250MG15	Bullet Hand Tray	\$416.00

**Mounting Location (Required)**

250IM09	Right	NC
250IM10	Left	NC

**Switch Options**

–	See Switch Selections <i>(Maximum 2)</i>	–
---	--	---

**Head Control Packages** *(Select headrest mount on next page)*

\$

*Only one head control device can be ordered.*

**Proportional Input Devices**

250EU25	Switch-It DualPro® Proportional Head Array - Facial Pads	\$7,057.00
250EU26	Switch-It DualPro® Proportional Head Array - Spot Pads	\$7,057.00
250EU51	Switch-It Vigo Head Drive	\$6,293.00

**Switched Input Devices**

250EU28	Switch-It 3-Switch Head Array - Short Curved Wings	\$6,154.00
250EU30	Switch-It 3-Switch Head Array - Long Curved Wings	\$6,154.00

**Switch Options**

–	See Switch Selections <i>(Maximum 2)</i>	–
---	--	---

## SPECIALTY INPUT DEVICES

OPTION	DESCRIPTION	RETAIL
<b>Sip 'N Puff</b> \$		
250ID73	Switch-It Sip 'N Puff Combo Head Array with Link-It Hardware <i>(Requires headrest mount)</i>	\$7,037.00
250ID74	Switch-It OptiStop with Sip 'N Puff	\$2,741.00
<b>Headrest Mounts</b> <i>(Applies to Head/Sip 'N Puff control packages)</i> \$		
250IJ13	Whitmyer® Linx Headrest Mount w/ Quick Release	\$247.00
250IJ14	Whitmyer® Linx-2 Headrest Mount w/ Quick Release	\$298.00
250IJ15	Whitmyer® AXYS Headrest Mount with Quick Release	\$247.00
<b>Chin Control Packages</b> \$		
<b>Proportional Input Devices</b>		
250EU34	Switch-It MicroGuide <i>(Switches mounted to the headrest only.)</i>	\$4,529.00
250EU36	Switch-It VersaGuide	\$2,557.00
250EU37	Switch-It VersaGuide EZ	\$3,023.00
<b>Mounting Position</b>		
250EM09	Link-It To Chin Harness, Small (150mm / 6")	\$1,760.00
250EM10	Link-It To Chin Harness, Large (220mm / 8")	\$1,760.00
250EM11	Link-It To Headrest (Swing-Away)	\$1,760.00
250EM16	Omit Mount	NC
<b>Input Device Mounting Location</b>		
250IM13	Right	NC
250IM14	Left	NC
<b>Switch Options</b>		
–	See Switch Selections	–
<b>Safety Devices</b> \$		
250SA06	Switch-It Remote Stop Switch - XLR Connector	\$1,317.00
<b>Switched Driving Packages</b> \$		
250SW44	Switch-It™ Cool Cube with DB9 connector for proximity/proportional switch driving. <i>(Pro Spot proportional switches are required if proportional driving is desired.) (For non-proportional driving, single switches can be used.)</i>	\$3,949.00

## SPECIALTY INPUT DEVICES

OPTION	DESCRIPTION	RETAIL
--------	-------------	--------

## Switches

Single switches can be programmed to activate any function of the wheelchair including: On/Off, Mode, Profile, Speeds, Seating, Memory Positions, Horn, Lights & Indicators, IR functions, Bluetooth mouse clicks, Environmental Controls when plugged into assignable port.

Switches can connect via: Joysticks (Standard, Micro series, Versa series) Omni2, SJX6 Hub, head controls

Switch ordering instructions:

1. Select switch type and quantity in Section "A" using columns below. (Max 6 switches. See limitations below.)
2. Select switch mounting position from Section "B" using corresponding switch column.
3. Select switch mounting location from Section "C" using corresponding switch column.

## Section A – Switch Selections

## Switch / Quantity

Single Function Switches - Mechanical Switches	Switch 1	Switch 2	Switch 3	Switch 4	Switch 5	Switch 6	\$
2.5" Single Switch - Black							\$230.00
2.5" Single Switch - Blue							\$230.00
2.5" Single Switch - Green							\$230.00
2.5" Single Switch - Red							\$230.00
2.5" Single Switch - Yellow							\$230.00
Egg Switch - Black							\$131.00
Egg Switch - Blue							\$131.00
Egg Switch - Green							\$131.00
Egg Switch - Red							\$131.00
Egg Switch - Yellow							\$131.00
MicroLite <i>(Includes colour labels)</i>							\$195.00
Mini Button 1 - Blue <i>(Velcro)</i>							\$125.00
Mini Button 1 - Green <i>(Velcro)</i>							\$125.00
Mini Button 1 - Red <i>(Velcro)</i>							\$125.00
1" Single Switch - Black							\$326.00
1" Single Switch - Blue							\$326.00
1" Single Switch - Green							\$326.00
1" Single Switch - Orange							\$326.00
1" Single Switch - Red							\$326.00
1" Single Switch - Yellow							\$326.00
<b>Electronic Switches</b>							
Flex Switch (Headrest mount only)							\$254.000
<b>ProSpot - Proportional Switches</b>							
ProSpot Proportional Switch - Red							\$562.00
ProSpot Proportional Switch - Green							\$562.00
ProSpot Proportional Switch - Blue							\$562.00
ProSpot Proportional Switch - Yellow							\$562.00
ProSpot Proportional Switch - Orange							\$562.00

## Section B – Switch Mounting Position

Link-It to the Backrest <i>(Up to 1 per side)</i>							\$770.00
Link-It to the Headrest - Gooseneck & Rigid <i>(Up to 2 per side)</i>							\$770.00
Link-It to the Fixed Joystick Mount <i>(Up to 2 per side)</i>							\$587.00
Link-It to the Parallel Swing-Away Joystick Mount <i>(Up to 2 per side)</i>							\$587.00
Link-It to the Seat Rail <i>(Up to 2 per side)</i> <i>(Not avail w/knee &amp; thigh supports)</i>							\$467.00
Omit Mount <i>(includes Velcro)</i>							NC

## Section C – Switch Mounting Location

Right side of chair							NC
Left side of chair							NC

## Joystick Integrated Switches (Pair)

250J003	Proximity Switches on Flex Mount, Pair <i>(Used with VersaGuide/VersaGuide EZ)</i>	\$1,178.00
---------	--	------------

**JAY® SYNCRA™ SEATING MEASURING GUIDE**

**JAY® SYNCRA™ BACK**



<b>Backrest Width</b>	16"	18"	20"	22"
<b>Max User Trunk Width</b>	13.5"	15.5"	17.5"	19.5"

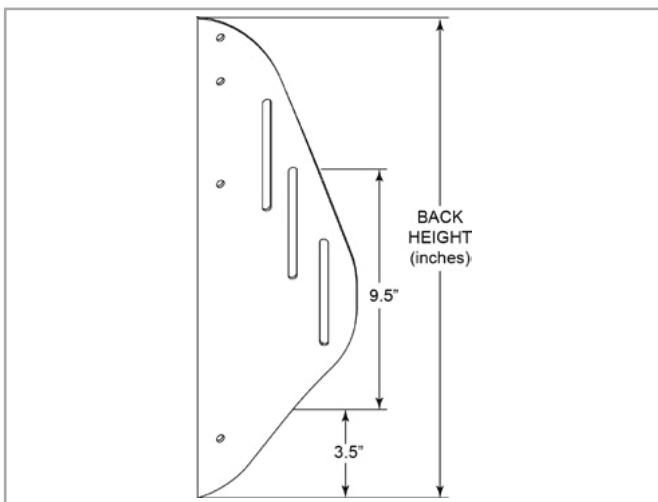
**JAY® Swing-Away Lateral Thoracic Adjustment Range**

Syncra Back Width	Width Range	Height range from bottom of shell to seat pan
16"	10" to 24"	12" to 19.5"
18"	12" to 26"	12.5" to 21.5"
20"	14" to 28"	12.5" to 22"
22"	16" to 30"	13.5" to 23"

**Syncra™ Fixed Lateral Support Accessory Range**

Syncra Back Width	Width Range	Height range from bottom of shell to seat pan	Contour Depth Range
16"	16.4" to 16.8"	6" to 8"	3" to 5"
18"	18.4" to 18.8"	6" to 8"	3" to 5"
20"	20.4" to 20.8"	6" to 8"	3" to 5"
22"	22.4" to 22.8"	6" to 8"	3" to 5"

**Syncra™ Back Shell Height Diagram**



**JAY® SYNCRA™ CUSHION**



**JAY® Lateral Thigh Support Adjustment Range**

Syncra Cushion Width	Width Range
16"	8.5" to 16.0"
17"	9.5" to 17.0"
18"	10.5" to 18.0"
19"	11.5" to 19.0"
20"	12.5" to 20.0"
22"	14.5" to 22.0"



Q700 M with SEDEO® PRO™

\$

Base Price	
Total of additional equipment	
Packaging and transport	
Total Price	

Signature

