



BeyondSeat

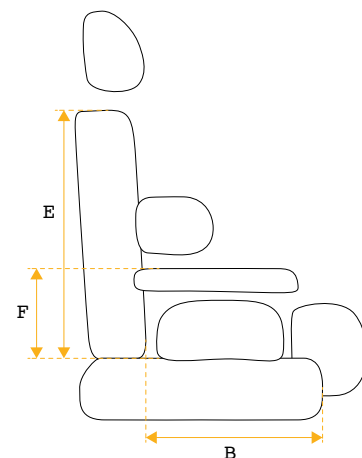
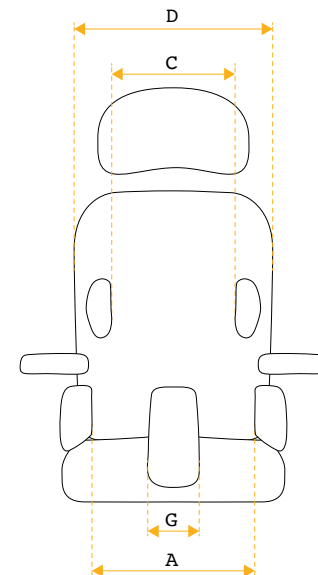
by spex

BOUNCE & SPACE ORDER FORM

Customer	Shipping Address	Identical To Billing Address
Account:		
Name:	Name:	
Street:	Street:	
City/PC:	City/PC:	
E-Mail:	E-Mail:	
Phone:	Phone:	

SPECIFICATIONS

		Size 0		Size 1	
Approximate user age		1-5yrs		4-11yrs	
Max Load		103 lbs		103 lbs	
		Bounce	Space	Bounce	Space
Product Weight		16 lbs	17.4 lbs	20 lbs	20.9 lbs
Tray Table Weight		3.7 lbs		3.7 lbs	
Measurement		Min	Max	Min	Max
A	Lateral Thigh Support Width	5.9"	9.8"	7"	11.8"
B	Seat Depth	5.9"	11"	9"	14.9"
C	Lateral Trunk Support Width	3.9"	9.4"	5.9"	11.4"
D	Back Support Width	8"		10"	
E	Back Support height	7.9"	15"	11.8"	16.9"
F	Arm Support Height	4.7"	7.5"	4.3"	7.5"
Wonderseat Space					
G	Medial Thigh Support Width	1.5"	5"	1.5"	5"
Chair Compatibility		Size 0		Size 1	
Tube Diameter		.74" - 1.18"		.74" - 1.18"	
Frame Width		10" - 12"		12" - 14"	
Frame Depth		11" - 14"		14" - 17"	
Back Post height		10" - 16"		11" - 18"	
Seat Base Mounting Point Separation		3" - 7"		6" - 11"	



Colour Options				
<i>Add the colour code to the end of your option part number where applicable. For example, Size 0 Bounce package in Chili Red, part number becomes 1420-1010-010_022.</i>				
<input type="checkbox"/>	_099	Black	NC	
<input type="checkbox"/>	_022	Chili Red	NC	
<input type="checkbox"/>	_030	Mango Orange	NC	
<input type="checkbox"/>	_044	Bumblebee Yellow	NC	
<input type="checkbox"/>	_028	Calypso Pink	NC	
<input type="checkbox"/>	_077	Royal Purple	NC	
<input type="checkbox"/>	_060	Ocean Blue	NC	
<input type="checkbox"/>	_054	Leaf Green	NC	
<input type="checkbox"/>	_090	Granite Grey	NC	
<input type="checkbox"/>	_209	Ink Black Wipe-down	NC	

BOUNCE PACKAGES

Standard Equipment

To build your own package, skip ahead to the "Made to Order" section of the form.

ADP SE0002145

Size 0	Size 1
Wonderseat Constructa Cushion, 10"W x 12"D	Wonderseat Constructa Cushion, 12"W x 16"D
Growth-Adjust Back Support. 11" - 15" Height Growth	Growth-Adjust Back Support. 12" - 17" height Growth
Drop Mount Hardware - Pediatric	Drop Mount Hardware - Pediatric
10"W x 12"D Spex Seat Base with Quick Release Hardware	12"W x 16"D Spex Seat Base with Quick Release Hardware
Spex Comfort 250 Head support Pad	Spex Comfort 250 Head support Pad
Wonderseat Lite Head support Hardware	Wonderseat Lite Head support Hardware
Narrow straight Lateral Trunk Support Pad, 0, 8.5 x 11.5cm	Broad Lateral Trunk Support Pad, Size 1, 10.5 x 13cm
Pediatric Axial Lateral Trunk Support Hardware	Pediatric Axial Lateral Trunk Support Hardware
Wonderseat Arm Support Pad	Wonderseat Arm Support Pad
Wonderseat Side-Release Arm & Thigh Support Hardware	Wonderseat Side-Release Arm & Thigh Support Hardware
Wonderseat Padded Centrepoint Shoulder Harness	Wonderseat Padded Centrepoint Shoulder Harness
Spex 2 point Padded Hip Belt, Pad Width 30cm	Spex 2 point Padded Hip Belt, Pad Width 30cm

Packages ADP SE0002145 \$

1420-1010-010_XXX	WONDERSEAT BOUNCE SZ 0 DROP MNT NO TRAY- Colour Code:	6,699.00
1420-1011-010_XXX	WONDERSEAT BOUNCE SZ 1 DROP MNT NO TRAY- Colour Code:	6,699.00

Options/Accessories \$

1311-7410-013	TRAY TABLE	609.00
1311-7410-013-C	TRAY TABLE PADDING	355.00
1102-1012-WSC-C_XXX	SPR CUSHION OUTER CVR SIZE 0- Colour Code:	223.00
1102-1216-WSC-C_XXX	SPR CUSHION OUTER CVR SIZE 1 - Colour Code:	223.00

SPACE PACKAGES

Standard Equipment

To build your own package, skip ahead to the "Made to Order" section of the form.

ADP SE0002146

<input type="checkbox"/> Size 0	<input type="checkbox"/> Size 1
Wonderseat Constructa Cushion, 10"W x 12"D	Wonderseat Constructa Cushion, 12"W x 16"D
Growth-Adjust Back Support. 11" - 15" Height Growth	Growth-Adjust Back Support. 12" - 17" Height Growth
Drop Mount Hardware - Pediatric	Drop Mount Hardware - Pediatric
10" x 12" Spex Seat Base with Quick Release Hardware	12" x 16" Spex Seat Base with Quick Release Hardware
Spex Pediatric Standard Lateral Head Support Pad	Spex Pediatric Standard Lateral Head Support Pad
Wonderseat Lite Head support Hardware	Wonderseat Lite Head support Hardware
Narrow Straight Lateral Trunk Support Pad, 0, 8.5 x 11.5cm	Broad Lateral Trunk Support Pad, Size 1, 10.5 x 13cm
Pediatric Swing-Away Lateral Trunk Support HArduare	Pediatric Swing-Away Lateral Trunk Support HArduare
Wonderseat Arm & Elbow Support Pad	Wonderseat Arm & Elbow Support Pad
WonderseatSnug Thigh Support Pad, 19 x 8.5cm	WonderseatSnug Thigh Support Pad, 19 x 8.5cm
Wonderseat Side-Release Arm & Thigh Support Hardware	Wonderseat Complete-Release Arm & Thigh Support Hardware
Wonderseat Adjustable Medial Thigh Support, Pad Height 7cm	Wonderseat Adjustable Medial Thigh Support, Pad Height 7cm
Wonderseat Padded Centrepoint Shoulder Harness	Wonderseat Padded Centrepoint Shoulder Harness
Wonderseat 4-Point Padded Hip Belt, Pad Width 24cm	Wonderseat 4-Point Padded Hip Belt, Pad Width 24cm

Packages ADP SE0002146 \$

1420-1020-010_XXX	WONDERSEAT SPACE SIZE 0 DROP MNT NO TRAY- Colour Code:	7,613.00
1420-1021-010_XXX	WONDERSEAT SPACE SIZE 1 DROP MNT NO TRAY- Colour Code:	7,613.00

Options/Accessories \$

1311-7410-013	TRAY TABLE	609.00
1311-7410-013-C	TRAY TABLE PADDING	355.00
1102-1012-WSC-C_XXX	SPR CUSHION OUTER CVR SIZE 0 - Colour Code:	223.00
1102-1216-WSC-C_XXX	SPR CUSHION OUTER CVR SIZE 1 - Colour Code:	223.00

MADE TO ORDER

OPTION	DESCRIPTION	RETAIL
Cushion		\$
1102-1012-WSC_XXX	Wonderseat Constructa Cushion size 0, 10" x 12" - Colour Code:	1,320.00
1102-1012-WSC-C_XXX	Size 0 Spare Outer Cover - Colour Code:	223.00
1102-1216-WSC_XXX	Wonderseat Constructa Cushion Size 1, 12" x 16" - Colour Code:	1,320.00
1102-1216-WSC-C_XXX	Size 1 Spare Outer Cover - Colour Code:	223.00
Seat Base - Includes the seat pan		\$
1008-1012-QRB	Quick Release Hardware Size 0, 10"W x 12"D	751.00
1008-1216-QRB	Quick Release Hardware Size 1, 12"W x 16"D	751.00
1008-1012-FXB	Fixed Seat Hardware Size 0, 10"W x 12"D	711.00
1008-1216-FXB	Fixed Seat Hardware Size 1, 12"W x 16"D	711.00
Back Support		\$
1252-1211-0GA_XXX	Growth-Adjust "Bounce" Size 0, 12" x 11-15" - Colour Code:	1,705.00
1252-1214-0GA_XXX	Growth-Adjust "Bounce" Size 0, 12" x 14-18" - Colour Code:	1,705.00
1252-1412-0GA_XXX	Growth-Adjust "Bounce" Size 1, 14" x 12-17" - Colour Code:	1,705.00
1252-1416-0GA_XXX	Growth-Adjust "Bounce" Size 1, 14" x 16-21" - Colour Code:	1,705.00
1255-1211-0GA_XXX	Growth- Adjust Spex Classic "Space" Size 0, 12" x 11-15" - Colour Code:	2,639.00
1255-1214-0GA_XXX	Growth- Adjust Spex Classic "Space" Size 0, 12" x 14-18" - Colour Code:	2,639.00
1255-1412-0GA_XXX	Growth- Adjust Spex Classic "Space" Size 1, 14" x 12-17" - Colour Code:	2,639.00
1255-1416-0GA_XXX	Growth- Adjust Spex Classic "Space" Size 1, 14" x 16-21" - Colour Code:	2,639.00
Back Support Hardware - Selection required with back Support Option		\$
1259-1400-00P	Drop Mount Hardware - Pediatric	416.00
1259-2100-100	Single Mount Hardware	416.00
1259-2400-100	Quad Mount Hardware	STD

MADE TO ORDER CONTINUED

OPTION	DESCRIPTION	RETAIL
Head Support Pad		\$
1275-0011-000_XXX	Circle 150 - Colour Code:	276.00
1275-0031-000_XXX	Comfort 250 - Colour Code:	276.00
1275-0021-000_XXX	Contour 250- Colour Code:	276.00
1275-0041-000_XXX	Spex Pediatric Standard Lateral Head Support Head Support pad- Colour Code:	335.00
1275-0042-000_XXX	Spex Pediatric Extended Lateral Head Support Head Support pad- Colour Code:	335.00
Head Support Hardware		\$
1274-3232-100	Wonderseat Quick-Release*	508.00
1274-0232-100	Wonderseat Lite*	457.00
Lateral Trunk Support Hardware *Priced as each		\$
L R		
1266-2613-100	Pediatric Axial Lateral	305.00
1266-2623-100	Pediatric Swing-Away Lateral	527.00
Lateral Trunk Support Pads *Priced as each		\$
L R		
1266-3052-400	Teardrop Size 0, 5.9" x 4.1"	245.00
1266-3031-400	Broad Size 1, 4.1" x 5.1"	245.00
1266-3032-400	Broad Size 2, 4.9" x 5.5"	245.00
1266-3010-400	Narrow Straight Size 0, 3.4" x 4.5"	245.00
1266-3011-400	Narrow Straight Size 1, 3.7" x 5.7"	245.00
1266-3012-400	Narrow Straight Size 2, 3.7" x 7"	245.00
1266-3021-400	Narrow Curved size 1, 3.7" x 5.7"	245.00
1266-3022-400	Narrow Curbed Size 2, 3.7" x 7"	245.00

Arm Support *Priced as each			⌘
L	R		
	1156-6410-310	Wonderseat Arm Support Pad* Size 0, 3.5" x 7.8"	162.00
	1156-6411-310	Wonderseat Arm Support Pad* Size 1, 3.5" x 9.8"	162.00
	1156-6420-310	Wonderseat Arm & Elbow Support Pad* Size 0, 3.5" x 7.8"	178.00
	1156-6421-310	Wonderseat Arm & Elbow Support Pad* Size 1, 3.5" x 9.8"	178.00
Lateral Thigh Support Pads - For use with Arm and Thigh Support *Priced as each			⌘
L	R		
	1156-1105-400	Wonderseat Thigh Support Pad, 5" Deep 4.5" x 3.4"	193.00
	1156-1208-400	Wonderseat Snug Thigh Support Pad, 8" deep, 7.5" x 3.4"	193.00
	1156-1108-400	Wonderseat Thigh Support Pad, 8" deep, 7.5" x 3.4"	193.00
	1156-1010-400	10" Thigh Support Pad, 10.4" x 3.5"	299.00
Arm & Thigh Support Hardware - Selection required with Arm Support Option and Lateral Thigh Support Option *Priced as each			⌘
L	R		
	1156-0403-130	Wonderseat Side-Release*	761.00
	1156-0403-110	Wonderseat Complete-Release*	761.00
Medial Thigh Support			⌘
	1162-1401-000	Wonderseat Adjustable Medial Thigh Support, Pad height 2.8"	538.00
	1162-1601-000	Medial Thigh/Knee Block with Axial-Adjust pad, Size 1, Pad height 3.7"	1,357.00
Anterior Pelvic Support			⌘
	1405-6220-027	Spex 2 Point Padded Hip Belt, Pad width 11.8"	157.00
	1406-5420-027	Wonderseat 4-Point Padded Hip Belt, Pad width 9.4"	203.00
Anterior Trunk Support			⌘
	1409-5660-017	Wonderseat Padded Centrepoint Shoulder Harness Size 0, Pad Height 8.6"	284.00
	1409-5661-017	Wonderseat Padded Centrepoint Shoulder Harness Size1, Pad Height 11"	284.00
Tray Table			⌘
	1311-7410-013	Wonderseat Tray Table, 20.5" x 16.5"	609.00
	1311-7410-013-C	Wondeseat Tray Table Padding	355.00

CUSHION AND SEAT BASE

Wonderseat Constructa Cushion



Seat Pan Fixed Hardware



Seat Pan Quickie Release Hardware



BACKREST AND HARDWARE

Growth-Adjust



Growth-Adjust Spex Classic



Backrest Single Mount Hardware



Backrest Quad Mount Hardware



Backrest Drop Mount Hardware
Pediatric



HEADREST AND HARDWARE

Pediatric Circle 150



Pediatric Comfort 250



Pediatric Contour 250



Pediatric Standard Lateral



Pediatric Extended Lateral



HEADREST AND HARDWARE Cont.

Wonderseat Quick-Release



Wonderseat Lite



Paediatric Axial Lateral



Paediatric Swing Away Lateral



POSITIONING BELTS AND ACCESSORIES

Spex 2 Point Padded Hip Belt



Wonderseat 4 Point Padded Hip Belt



Wonderseat Tray Table



Wonderseat Tray Table Padding



Wonderseat Padded Centre-point Shoulder Harness



SUPPORTS AND ARMRESTS

Teardrop Lateral Trunk Support Pad



Broad Lateral Trunk Support Pad



Narrow Straight Lateral Trunk Support Pad



Narrow Curved Lateral Trunk Support Pad



Wonderseat Arm Support Pad



Wonderseat Arm & Elbow Support Pad



Wonderseat Side-Release



Wonderseat Complete-Release



Wonderseat Thigh Support Pad



Wonderseat Snug Thigh Support Pad



Wonderseat Thigh Support Pad



10" Thigh Support Pad



Wonderseat Adjustable Medial Thigh Support



Medial Thigh/knee Block with Axial-adjust Pad

