

2. SIZE/SEATING CONT.

Seats			
<input type="checkbox"/>	087ST55	Solid Seat (Req. Solid Back) <i>(N/A w/ 10-11, 19-20 inch frame depth or 17-18 inch frame width.)</i>	\$315
<input type="checkbox"/>	087PN3	Growing Seat Pan Depth (Fig. 1)	\$274
<input type="checkbox"/>	087ST27	Omit Seat	STD

JAY Cushions (Optional)

To order any JAY cushions on-chair, please see the JAY price list. Cushion name or part number must be filled out with desired width and depth.

JAY Bundled Cushion			
<input type="checkbox"/>	087JC20	Name / Part #	Price List
		Width: _____ Depth: _____	

REFERENCE ONLY

Seat Depth Pan Size	Depth Range	
	Minimum	Maximum
Short 10-12"	10"	14"
Medium 13"-14"	11 3/4"	16 1/4"
Long 15"-17"	13 3/4"	18 1/4"
X-Long 18"-20"	15 3/4"	20 1/4"

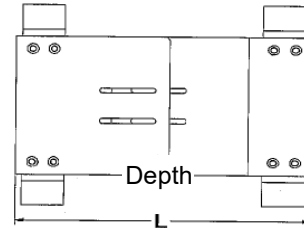


Figure 7.1 - Frame Depth Growth Range Matrix

3. CASTERS/SEAT HEIGHT

Caster Wheel			
<input type="checkbox"/>	087CW30	3" Micro Light Up	\$72
<input type="checkbox"/>	087CW31	4" Micro Light Up	\$108
<input type="checkbox"/>	087CW51	5" Micro Light Up	\$108
<input type="checkbox"/>	087CW5	5" Low-Profile Polyurethane	STD
<input type="checkbox"/>	087CW7	5" x 1.5" Semi-Pneumatic	\$108
<input type="checkbox"/>	087CW33	6" Pneumatic	\$108
<input type="checkbox"/>	087CW34	6" Polyurethane	NC
<input type="checkbox"/>	087CW35	6" x 1.5" Semi-Pneumatic	\$108
<input type="checkbox"/>	087CW21	8" Pneumatic	\$144
<input type="checkbox"/>	087CW32	8" Polyurethane	NC
<input type="checkbox"/>	087CW39	8" x 1.5" Semi-Pneumatic	\$144
<input type="checkbox"/>	087CW36	8" x 2" Pneumatic	\$243
<input type="checkbox"/>	087CW37	8" x 2" Pneumatic w/Airless Insert	\$387

Caster Options			
<input type="checkbox"/>	087CS5	3/4" Longer Fork Stem Bolt	NC
<input type="checkbox"/>	087CS9	1 1/2" Longer Fork Stem Bolt	NC
<input type="checkbox"/>	087CS3	Caster Pin Locks <i>(N/A with 8" x 2" casters or Transit Opt.)</i>	\$150
<input type="checkbox"/>	087CW38	Omit Caster, Wheels & Tires	NC

4. REAR WHEELS/SEAT HEIGHT

Axle Plate			
<input type="checkbox"/>	087AL17	One Arm Drive <i>(Avail w/ 20", 22", 24" Mag Rear Wheels & 13"-18" wide)</i>	\$1,362
<input type="checkbox"/>	087OA2	Standard Handrim	NC
<input type="checkbox"/>	087HM1	Right	NC
<input type="checkbox"/>	087HM2	Left	NC
<input type="checkbox"/>	087OA1	Small Handrim	NC
<input type="checkbox"/>	087HM1	Right	NC
<input type="checkbox"/>	087HM2	Left	NC

Axle			
<input type="checkbox"/>	087AX26	One Arm Drive Axle <i>(Only avail. w/One Arm Drive Option)</i>	STD
<input type="checkbox"/>	087AX1	Quick Release	NC
<input type="checkbox"/>	087AX11	Quad Quick Release <i>(N/A with Lite Spokes)</i>	\$179

4. REAR WHEELS/SEAT HEIGHT CONT.

Rear Wheel Size			
<input type="checkbox"/>	087RW48	12" Mag <i>(N/A with handrims)</i>	\$46
<input type="checkbox"/>	087RW14	16" Mag <i>(N/A with handrims)</i>	NC
<input type="checkbox"/>	087RW3	20" Mag	NC
<input type="checkbox"/>	087RW8	22" Mag	NC
<input type="checkbox"/>	087RW1	24" Mag	NC
<input type="checkbox"/>	087RW74	20" Lite Spoke	NC
<input type="checkbox"/>	087RW75	22" Lite Spoke	NC
<input type="checkbox"/>	087RW54	24" Lite Spoke	\$315
<input type="checkbox"/>	087RW25	Omit Rear Wheel & Axle	\$0

Handrim			
<input type="checkbox"/>	087HR1	Aluminum Anodized	NC
<input type="checkbox"/>	087HR4	Plastic Coated	\$144
<input type="checkbox"/>	087HR7	Omit <i>(N/A with wheel/axle credit)</i>	NC

Projections <i>(N/A on Plastic Coated)</i>			
<i>*Only available with 24" wheels & N/A with spoke guards.</i>			
<input type="checkbox"/>	087HR8	8 Oblique	\$144

Rear Wheel Tire			
<input type="checkbox"/>	087RT1	Pneumatic	NC
<input type="checkbox"/>	087RT2	Pneumatic Airless Insert	\$243
<input type="checkbox"/>	087RT3	Full Polyurethane <i>(N/A w/ 12" and 16" rear wheels)</i>	NC
<input type="checkbox"/>	087RT4	Low Polyurethane <i>(Only available with 12" and 24" wheels)</i>	NC
<input type="checkbox"/>	087RT6	High Pressure Clincher <i>(Avail. w/ 24" spoke wheels, N/A with mag wheels)</i>	\$103

5. WHEEL LOCK/HUB LOCK

Wheel Lock			
<i>N/A with Hub Locks</i>			
<input type="checkbox"/>	087WL1	High Mount Push	NC
<input type="checkbox"/>	087WL2	High Mount Pull	NC
<input type="checkbox"/>	087WL25	Foot Lock <i>(may limit folding width, N/A in rev. config.)</i>	NC
<input type="checkbox"/>	087WL10	Omit	NC
<input type="checkbox"/>	087WL12	Do Not Mount	NC

Hub Lock			
<i>*Only available with 12" or 16" wheels. N/A with One Arm Drive.</i>			
<input type="checkbox"/>	087LK01	12" Hub Lock	\$160
<input type="checkbox"/>	087LK02	16" Hub Lock	\$160

Extension Handle			
<input type="checkbox"/>	087EH1	6" Pair	\$72

6. HANGER and FOOTRESTS

Hanger Mounted Footrest (Footplates Mount to Hanger Tubing)			
<i>Hanger Type</i>			
<input type="checkbox"/>	087H89	70° Swing In/Out Front Mount	NC
<input type="checkbox"/>	087H90	80° Swing In/Out Front Mount	NC
<input type="checkbox"/>	087H6	90° Swing Away Front Mount	NC
<input type="checkbox"/>	087H9	70° HD Front Mount Lift-Off	NC
<input type="checkbox"/>	087H10	80° HD Front Mount Lift-Off	NC
<input type="checkbox"/>	087H11	90° HD Front Mount Lift-Off	NC
<input type="checkbox"/>	087H23	90° Elevating (N/A 10"-11" wide)	\$334
Extensions (may interfere with some seat heights & casters)			
<input type="checkbox"/>	087E23	2" (not mounted)	\$52
<input type="checkbox"/>	087E24	4" (not mounted)	\$52

Footplate			
<input type="checkbox"/>	087F9	Kids Angle Adjustable (N/A w/17"-18" widths)	NC
<input type="checkbox"/>	087F8	Adult Angle Adj. (Available with 10"-18" widths)	\$173
<input type="checkbox"/>	087F62	Footboard (Available with 10"-16" widths)	\$227

Ext. Tube Mounted Footrest (Footplate Mount to Ext. Tube)			
<i>Hanger Type</i>			
<input type="checkbox"/>	087H85	60° Swing In/Out	NC
<input type="checkbox"/>	087H86	70° Swing In/Out	STD
<input type="checkbox"/>	087H116	80° Swing In/Out (N/A with 6" or 8" Casters)	STD
<input type="checkbox"/>	087H24	Articulating (N/A w/composite footplates or 10"-13")	\$518
<input type="checkbox"/>	087H14	Elevating (N/A w/ composite or platform footplates or < 16" width)	\$334
Extensions			
<input type="checkbox"/>	087E1	Short (11.5" - 14")	NC
<input type="checkbox"/>	087E2	Med (14" - 17") (N/A w/ ELR)	NC
<input type="checkbox"/>	087E5	Long (17" - 19")	NC
<input type="checkbox"/>	087E16	High Mount	\$96

Footplate			
<input type="checkbox"/>	087F1	Composite (N/A In 10", 11" or 12" width)	STD
<input type="checkbox"/>	087F3	Aluminum Angle Adjustable	\$173
<input type="checkbox"/>	087F4	Kids Angle Adjustable (N/A w/17"-18" width)	NC
<input type="checkbox"/>	087F5	Aluminum (Only available with elevating leg rests 14"-18")	NC
<input type="checkbox"/>	087F48	Platform Flip-Up (Avail on 60° 70° and 80° ext. mount hangers only)	\$227

Front Seat to Floor Height Guide (Reference Only)								
Rear Wheel Size	CASTER SIZE							
	3"	4"	5"	6"	8"X1"	8"X1.5"	8"x2"	
12"	14.0"	14.0"	14.0"	N/A	N/A	N/A	N/A	
	14.5"	14.5"	14.5"					
	15.0"	15.0"	15.0"	15.0"				
	15.5"	15.5"	15.5"	15.5"				
	16.0"	16.0"	16.0"	16.0"				
12" Low Poly	14.0"	14.0"	14.0"	15.0"	N/A	N/A	N/A	
	14.5"	14.5"	14.5"					
	15.0"	15.0"	15.0"					
16"	14.0"	14.0"	14.0"	N/A	N/A	N/A	N/A	
	14.5"	14.5"	14.5"					
	15.0"	15.0"	15.0"	15.0"				
	15.5"	15.5"	15.5"	15.5"				
	16.0"	16.0"	16.0"	16.0"				
20"	14.0"	14.0"	14.0"	N/A	N/A	N/A	N/A	
	14.5"	14.5"	14.5"	15.0"				
	15.0"	15.0"	15.0"	15.5"				
	15.5"	15.5"	15.5"	16.0"	16.5"	16.5"	16.5"	
	16.0"	16.0"	16.0"	16.5"	17.0"	17.0"	N/A	
	16.5"	16.5"	16.5"	17.0"	17.5"	17.5"	17.5"	
	17.0"	17.0"	17.0"	17.5"	18.0"	18.0"	18.0"	
17.5"	17.5"	17.5"	18.0"	18.5"	18.5"	18.5"		
22"	N/A	18.0"	18.0"	18.5"	19.0"	19.0"	19.0"	
	N/A	N/A	18.5"	19.0"	19.5"	19.5"	N/A	
	15.0"	15.0"	15.0"	15.5"	16.5"	16.5"	N/A	
	15.5"	15.5"	15.5"	16.0"	17.0"	17.0"	N/A	
	16.0"	16.0"	16.0"	16.5"	17.5"	17.5"	16.5"	
	16.5"	16.5"	16.5"	17.0"	18.0"	18.0"	N/A	
	17.0"	17.0"	17.0"	17.5"	18.5"	18.5"	17.5"	
17.5"	17.5"	17.5"	18.0"	19.0"	19.0"	18.0"		
24"	N/A	18.0"	18.0"	18.5"	19.5"	19.5"	18.5"	
	N/A	N/A	18.5"	19.0"	20.0"	20.0"	19.0"	
	15.5"	15.5"	15.5"	15.5"	N/A	N/A	N/A	
	16.0"	16.0"	16.0"	16.0"	16.5"	16.5"	16.5"	
	16.5"	16.5"	16.5"	16.5"	17.0"	17.0"	N/A	
	17.0"	17.0"	17.0"	17.0"	17.5"	17.5"	17.5"	
	17.5"	17.5"	17.5"	17.5"	18.0"	18.0"	18.0"	
N/A	18.0"	18.0"	18.0"	18.5"	18.5"	18.5"	N/A	
	N/A	N/A	N/A	19.0"	19.0"	19.0"		
	N/A	N/A	N/A	N/A	20.0"	20.0"		

Based on 1.5" seat angle. To achieve desired seat height see matrices on last page.

6. FOOTRESTS CONT.

Footrest Hanger Options

<input type="checkbox"/>	087IG2	Neoprene Covers (<i>Avail. on 60°/70°/80° ext. mount hangers only</i>)	\$60
<input type="checkbox"/>	087HL1	Heel Loops	NC
<input type="checkbox"/>	087A110	Toe Loop (<i>Only avail. w/ adult angle adjust. footplates</i>)	\$42

<input type="checkbox"/>	087HL5	Leg Strap	NC
<input type="checkbox"/>	087A54	Extra Single Leg Strap	\$60
<input type="checkbox"/>	087H33	Omit Hanger	\$0
<input type="checkbox"/>	087F7	Omit Footplate & Ext. Tube	\$0
<input type="checkbox"/>	087HL4	Omit Heel Loop	NC
<input type="checkbox"/>	087HL6	Omit Single Leg Strap	NC

7. BACKREST/SEATING

Back Height

(Solid Back Depth = 2" Less Than Frame Depth)

<input type="checkbox"/>	087B240	Short Solid Back 12"	\$405
<input type="checkbox"/>	087B241	Med. Solid Back 14"	\$405
<input type="checkbox"/>	087B242	Tall Solid Back 16"	\$405
<input type="checkbox"/>	087BU14	Omit Backrest	\$0

JAY Backs (Optional)

Ordering JAY backs on-chair, See the JAY Price List. Requires Part #

<input type="checkbox"/>	087JB02	JAY Bundled Backrest	Price List
		Backrest Name or Part #	
		Width: Height:	

Back Posts

Fixed Height

<input type="checkbox"/>	087BP9	Low (19" Ht)	NC
<input type="checkbox"/>	087BP10	Medium (22" Ht)	NC
<input type="checkbox"/>	087BP11	Tall (25" Ht)	NC
<input type="checkbox"/>	087BP13	Removable Extension	\$173
<input type="checkbox"/>	087RG1	Folding Adjustable Rigidizer	\$204

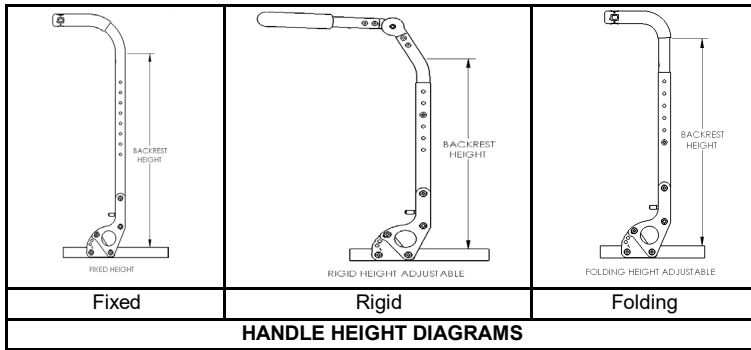
Height Adjustable

Rigid Frame w/ Angle Adjust Push Handle

<input type="checkbox"/>	087B202	Std. (16"-22" Height.)	NC
<input type="checkbox"/>	087PH8	<i>Std. Angle Adj. Push Handle</i>	NC
<input type="checkbox"/>	087PH9	<i>Long Angle Adj. Push Handle</i>	NC
<input type="checkbox"/>	087B203	Tall (19"-25" Height.)	NC
<input type="checkbox"/>	087PH8	<i>Std. Angle Adj. Push Handle</i>	NC
<input type="checkbox"/>	087PH9	<i>Long Angle Adj. Push Handle</i>	NC

Folding Frame with Push Handle

<input type="checkbox"/>	087B204	Std. (17"-23" Height.)	NC
<input type="checkbox"/>	087BP47	<i>Swing Away Handle (N/A with dual triggers)</i>	\$84
<input type="checkbox"/>	087B205	Tall (20"-26" Height.)	NC
<input type="checkbox"/>	087BP47	<i>Swing Away Handle (N/A with dual triggers)</i>	\$84



8. ARMRESTS

Side Guard

(N/A with height adjustable armrests or T-Post)

<input type="checkbox"/>	087SG33	Plastic Std	\$185
<input type="checkbox"/>	087SG29	Plastic Low	\$185

Armrest and Armpad

<input type="checkbox"/>	087AA12	T-Post Regular w/Foam	NC
<input type="checkbox"/>	087AA13	T-Post Tall w/Foam	NC
<input type="checkbox"/>	087AA3	Flip-Up	NC
<input type="checkbox"/>	087AA1	Adjustable Locking Flip-Up	\$334
<input type="checkbox"/>	087AA7	Length Adjust. Locking Flip-Up	\$334
<input type="checkbox"/>	087AM23	Desk Classic (10") (N/A w/T Post)	NC
<input type="checkbox"/>	087AM24	Full Classic (14") (N/A w/T Post)	NC
<input type="checkbox"/>	087AM9	Foam Short (N/A w/T Post)	NC
<input type="checkbox"/>	087AM10	Foam Long (N/A w/T Post)	NC

Armrest and Armpad - Height Adjustable

<input type="checkbox"/>	087AA11	Single-Post Height Adj. Std.	\$334
<input type="checkbox"/>	087AM23	Desk Classic	NC
<input type="checkbox"/>	087AM21	Desk Contour	NC
<input type="checkbox"/>	087AM24	Full Classic	NC
<input type="checkbox"/>	087AM22	Full Contour	NC
<input type="checkbox"/>	087AA29	Single-Post Height Adj. Low	\$334
<input type="checkbox"/>	087AM23	Desk Classic	NC
<input type="checkbox"/>	087AM21	Desk Contour	NC
<input type="checkbox"/>	087AM24	Full Classic	NC
<input type="checkbox"/>	087AM22	Full Contour	NC

Armrest Receiver for Height Adjustable Armrest

<input type="checkbox"/>	087AR17	Low	NC
<input type="checkbox"/>	087AR18	Std	NC

9. KEY OPTIONS

Anti-Tip

<input type="checkbox"/>	087AO2	Front Anti-Tip <i>(N/A with caster pin locks or transit option)</i>	\$155
<input type="checkbox"/>	087AT17	Rear Anti-Tip	\$119

Spoke Guard

(N/A with 12" and 16" rear wheels & Projections Handrims)

<input type="checkbox"/>	087A23	Black	\$155
<input type="checkbox"/>	087A303	Clear Zippie	\$155

Positioning Belt *(w/clamps)*

<input type="checkbox"/>	087A112	1" Dual Pull Side Squeeze Padded	\$130
<input type="checkbox"/>	087A117	Belt 2" Aircraft Buckle	\$137
<input type="checkbox"/>	087A118	Belt 2" Aircraft Buckle Padded	\$201
<input type="checkbox"/>	087A141	Belt 1.5" Auto Buckle	\$96
<input type="checkbox"/>	087A814	1" Comfort Fit APB5116	\$144

Canopy *(SunShade)*

(Need 2" back post clearance to mount canopy hardware, may require next height based on seating; please note some interference may occur with some headrest configurations)

<input type="checkbox"/>	0878A06	Canopy (Sunshade) 10"-14" Width	\$422
<input type="checkbox"/>	0878A07	Canopy (Sunshade) 15"-20" Width	\$422

Upper Extremity Support Tray

<input type="checkbox"/>	087A29	X-Small <i>(Suggested 10"-12" chair width)</i>	\$375
<input type="checkbox"/>	087A30	Small <i>(Suggested 13"-14" chair width)</i>	\$375
<input type="checkbox"/>	087A31	Medium <i>(Suggested 15"-17" chair width)</i>	\$375
<input type="checkbox"/>	087A32	Large <i>(Suggested 18"-20" chair width)</i>	\$375

Back Pack *(Kids Backpack included)*

<input type="checkbox"/>	087A1	Utility Backpack - Black	\$110
<input type="checkbox"/>	087A2	Additional Kids Black Backpack	\$103

Miscellaneous

<input type="checkbox"/>	087A83	Tool Kit	\$42
<input type="checkbox"/>	087A8	Black Seat Pouch	\$82

10. COLOR

Standard Colors

<input type="checkbox"/>	087C140	Aztec Gold	NC
<input type="checkbox"/>	087C2	Black <i>(N/A as base w/Zebra)</i>	NC
<input type="checkbox"/>	087C141	Black Cherry	NC
<input type="checkbox"/>	087C10	Black Opal	NC
<input type="checkbox"/>	087C38	Blue Opal	NC
<input type="checkbox"/>	087C36	Candy Blue	NC
<input type="checkbox"/>	087C14	Candy Purple	NC
<input type="checkbox"/>	087C35	Candy Red	NC
<input type="checkbox"/>	087C142	Electric Blue	NC
<input type="checkbox"/>	087C143	Evergreen	NC
<input type="checkbox"/>	087C126	Glow	NC
<input type="checkbox"/>	087C144	Green Apple	NC
<input type="checkbox"/>	087C147	Hot Sparkle Pink	NC
<input type="checkbox"/>	087C148	Mauve Pink	NC
<input type="checkbox"/>	087C103	Rootbeer	NC
<input type="checkbox"/>	087C114	Sparkle Silver	NC
<input type="checkbox"/>	087C145	Sunrise Orange	NC
<input type="checkbox"/>	087C113	Titanium Color Paint	NC
<input type="checkbox"/>	087C8	Yellow	NC

Standard Matte Colors

<input type="checkbox"/>	087C116	Matte Black	NC
<input type="checkbox"/>	087C151	Matte Black Cherry	NC
<input type="checkbox"/>	087C152	Matte Purple	NC
<input type="checkbox"/>	087C150	Matte Electric Blue	NC
<input type="checkbox"/>	087C149	Matte Evergreen	NC

Personalized Colors

<input type="checkbox"/>	087C43	Mossy Oak Camouflage	\$363
<input type="checkbox"/>	087C42	Stars and Stripes	\$363
<input type="checkbox"/>	087C108	Zebra <i>(Choose base color above: White Std, N/A black)</i>	\$363

Additional Options Through Built-4-Me

To inquire about any unique personalization for Zippie products, contact: Phone: (800) 263-3390, Email cscanada@sunmed.com



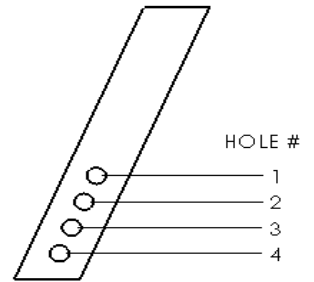
Commonly Requested Options Include:

- ✓ Dynamic Back
- ✓ Reclining Backrest
- ✓ Personalized Anodizing
- ✓ Personalized Paint
- ✓ O2 Holder with Transit
- ✓ IV Pole with Transit

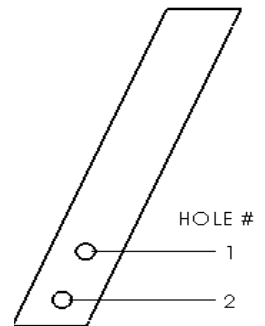
Zippie GS Seat Height Setup

Caster Fork Size	Caster Stem	Caster Fork Hole Position	Caster Size						
			3"	4"	5"	6"	8"x1"	8"x1.5"	8"x2"
5-1/4" <i>(N/A with 8"x2" caster)</i>	Std	1	N/A	N/A	14.0"	N/A			
		2		14.0"	14.5"	15.0"	N/A	N/A	N/A
		3	14.0"	14.5"	15.0"	15.5"			
		4	14.5"	15.0"	15.5"	16.0"	17.0"	16.5"	
	+3/4"	1	N/A	N/A	14.5"	N/A			
		2		14.5"	15.0"	15.5"	N/A	N/A	N/A
		3	14.5"	15.0"	15.5"	16.0"			
		4	15.0"	15.5"	16.0"	16.5"	17.5"	17.5"	
	+1-1/2"	1	N/A	N/A	15.5"	N/A			
		2		15.5"	16.0"	16.5"	N/A	N/A	N/A
		3	15.5"	16.0"	16.5"	17.0"			
		4	16.0"	16.5"	17.0"	17.5"	18.5"	18.0"	
6" <i>(N/A with 8"x2" caster)</i>	Std	1	N/A	N/A	14.5"	15.0"	N/A	N/A	
		2		14.5"	15.0"	15.5"	16.5"	16.5"	N/A
		3	14.5"	15.0"	15.5"	16.0"	17.0"	17.0"	
		4	15.0"	15.5"	16.0"	16.5"	17.5"	17.5"	
	+3/4"	1	N/A	N/A	15.5"	16.0"	N/A	N/A	
		2		15.5"	16.0"	16.5"	17.5"	17.0"	N/A
		3	15.5"	16.0"	16.5"	17.0"	18.0"	17.5"	
		4	16.0"	16.5"	17.0"	17.5"	18.5"	18.0"	
	+1-1/2"	1	N/A	N/A	16.0"	16.5"	N/A	N/A	
		2		16.0"	16.5"	17.0"	18.0"	18.0"	N/A
		3	16.0"	16.5"	17.0"	17.5"	18.5"	18.5"	
		4	16.5"	17.0"	17.5"	18.0"	19.0"	19.0"	
7" <i>(N/A with 8"x2" caster)</i>	Std	1	N/A	N/A	15.5"	16.0"	17.0"	17.0"	
		2		15.5"	16.0"	16.5"	17.5"	17.5"	N/A
		3	15.5"	16.0"	16.5"	17.0"	18.0"	18.0"	
		4	16.0"	16.5"	17.0"	17.5"	18.5"	18.5"	
	+3/4"	1	N/A	N/A	16.0"	16.5"	18.0"	17.5"	
		2		16.0"	16.5"	17.0"	18.5"	18.0"	N/A
		3	16.0"	16.5"	17.0"	17.5"	19.0"	18.5"	
		4	16.5"	17.0"	17.5"	18.0"	19.5"	19.0"	
	+1-1/2"	1	N/A	N/A	17.0"	17.5"	18.5"	18.5"	
		2		17.0"	17.5"	18.0"	19.0"	19.0"	N/A
		3	17.0"	17.5"	18.0"	18.5"	19.5"	19.5"	
		4	17.5"	18.0"	18.5"	19.0"	20.0"	20.0"	
8" Wide <i>(Must use with 8"x2" caster)</i>	Std	1	N/A						16.5"
		2	N/A						17.5"
	+3/4"	1	N/A						17.5"
		2	N/A						18.5"
	+1-1/2"	1	N/A						18.0"
		2	N/A						19.0"

5-1/4", 6" & 7" Fork



8" Wide Fork



Sunrise Medical Canada Inc.
237 Romina Drive, Unit 3 • Concord, ON L4K 4V3 • Canada